

# MERCURY

## 1:10 High-simulated Remote Control Car-Chassis

Item#48760 MERCURY Chassis Kit  
Fit for KB#48765 1/10 Jeep Gladiator Rubicon Hard Body



High/ Low Speed



Front/ Rear  
Differential Lock



**4WD  
RWD**  
4WD/RWD  
Switching



Engine Simulation



High-simulated  
Chassis

## WARNING



To prevent serious personal injury and/or property damage, operate all remotely controlled models in a responsible manner as outlined herein.

### CHOOSE THE RIGHT PLACE TO OPERATE YOUR RC MODEL.

- Do not run on public streets or highways. This could cause serious accidents, personal injuries, and/or property damage.
- Never run R/C models near people or animals.
- To avoid injury, do not run in confined spaces.
- Do not run where loud noises can disturb others, such as hospitals and residential areas.
- Never run indoors. There is a high risk of fire and/or damage.

### INSPECT YOUR MODEL BEFORE OPERATION.

- Make sure that all screws and nuts are properly tightened. It is also a good idea to use removable thread lock wherever metal screws go into metal, especially for engine mounts and the engine pilot shaft.
- Always use fresh batteries for your transmitter and for your receiver to avoid losing control of the model.
- Always test the brakes and throttle before starting your engine to avoid losing control of the model.
- Make sure no one else is using the same radio frequency as you are using.

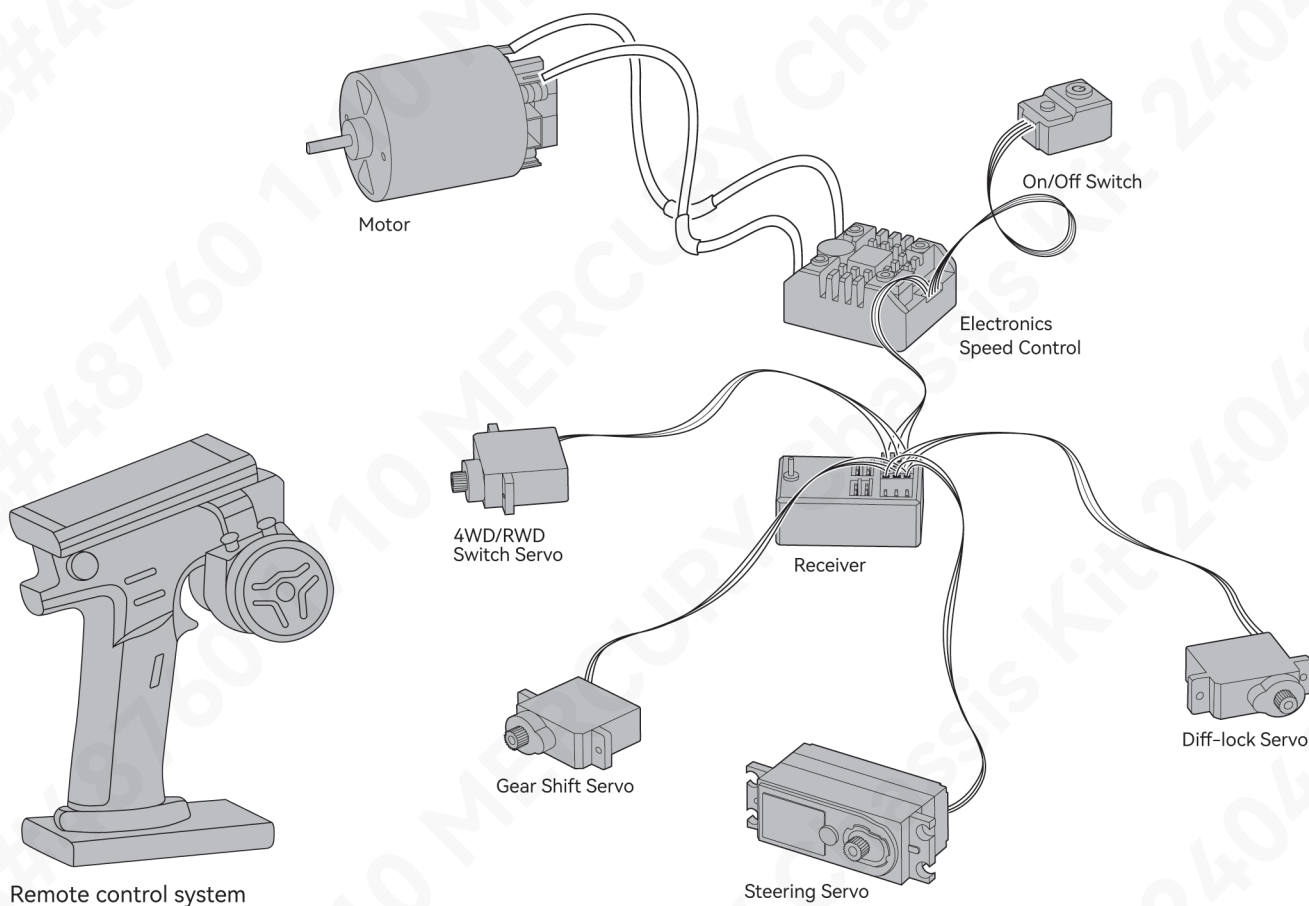
### AFTER OPERATION OF YOUR R/C MODEL

- Turn off receiver first, then turn off transmitter, this will prevent runaways.
- Be careful when handling batteries, they will be hot after running.
- Replace any batteries that have been dented or have frayed wires, short circuits can cause fire.
- Be sure to keep your R/C model clean and free of excess dirt and grease, this will increase the life.

## EQUIPMENT NEEDED

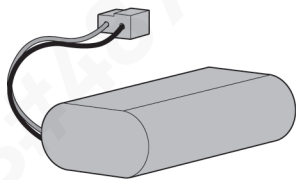
### Radio Control System

You will need 6-channel radio system with four servos, a 540 motor, an electronics speed control.

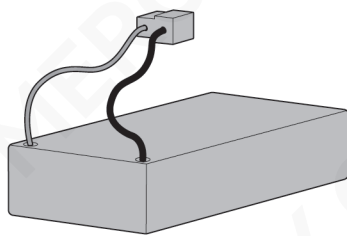


**Battery**

Maximum Size: 93mmx44mmx18.5mm

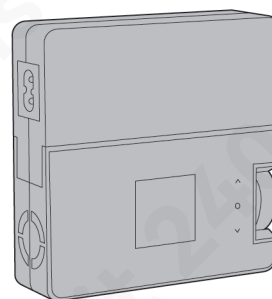


Li-polymer 2S/7.4V



Li-Ion 2S/7.4V

**Charger**

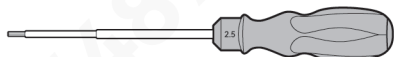


**Tools Recommended**

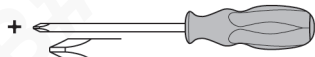
Allen Wrench 1.5mm



Allen Wrench 2.5mm



Screwdriver (large)



Screwdriver (small)



Screwdriver (small)



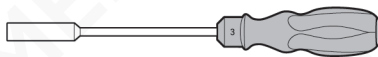
Tweezers



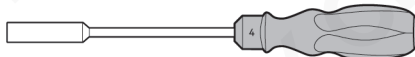
Socket Driver 2.0mm



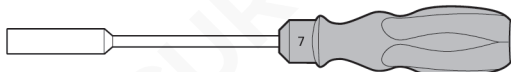
Socket Driver 3.0mm



Socket Driver 4.0mm



Socket Driver 7.0mm



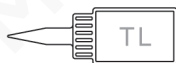
Plastic cement



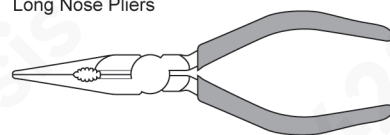
Apply Grease



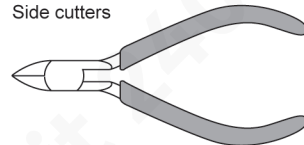
Apply Threadlock



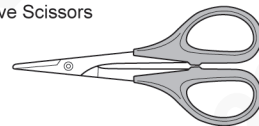
Long Nose Pliers



Side cutters



Curve Scissors



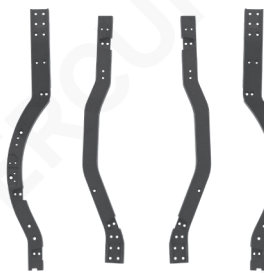
Modeling Knife



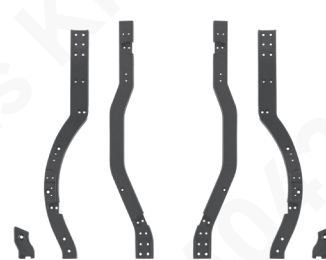
**ALUMINIUM ALLOY UPGRADE PARTS**



**48777**  
Front/ Rear Axle Upgrade Sets  
Aluminium alloy



**48779**  
Frame Upgrade Sets  
Aluminium alloy  
Fit for KB#48780 MERCURY Chassis



**48811**  
Frame Upgrade Sets  
Aluminium alloy  
Fit for KB#48760 MERCURY Chassis



**48809**  
Steering Knuckle Upgrade Sets  
Aluminium alloy



**48810**  
Suspension Loop Upgrade Sets  
Aluminium alloy



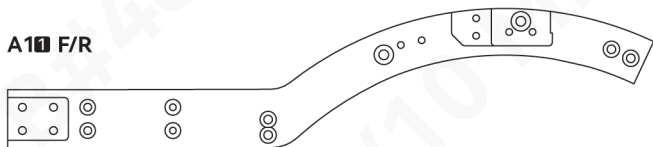
**48808**  
Control Arm Upgrade Sets  
Aluminium alloy

# PARTS REFERENCE

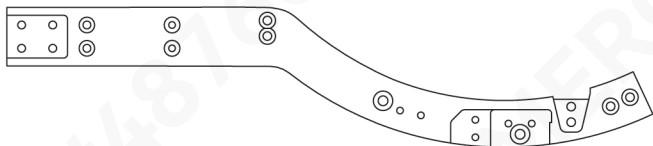
## A Chassis Frame Kit

### A1 Side Member

A1① F/R

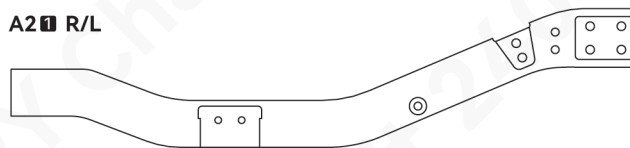


A1② F/L

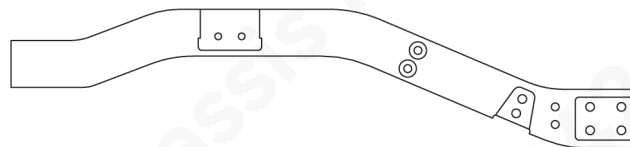


### A2 Side Member

A2① R/L



A2② R/R



A2-1①



A2-1②



### A3 Side Adjustable Extension Sections

A3① x2



A3② x2



### A4 Side Member Part

Side Member Part for 48780

A4①



A4②



Side Member Part for 48760

A4③



A4④



A4⑤ x2



## B Fuel Tank and Chassis Beam Kit

### B1 Cross Member

B1①



B1②



B1③



B1④

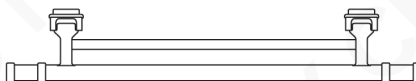


B1⑤



B1⑥

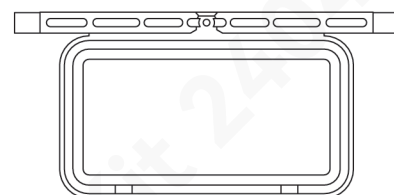
Front Axle Collision Beam for 48780



### B2 Fuel Tank

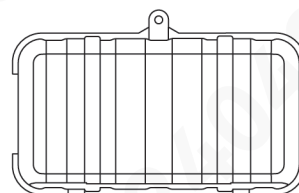
B2①

Lower Part of Fuel Tank



B2②

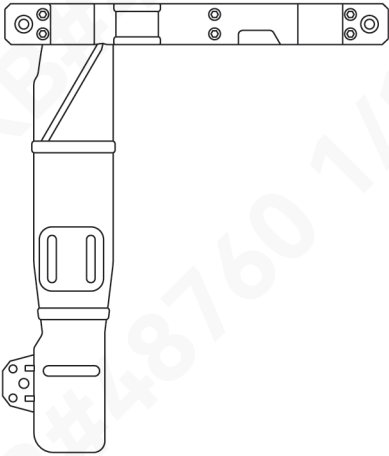
Upper Part of Fuel Tank



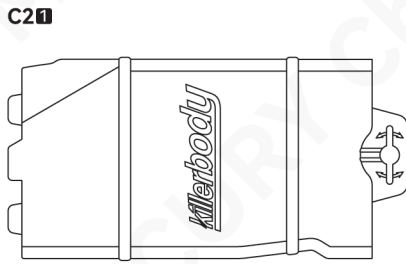
# PARTS REFERENCE

## C Battery Compartment Shell Kit

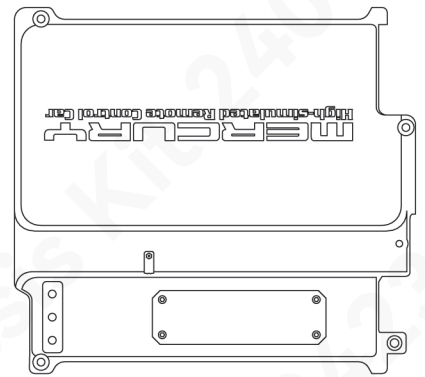
C1 Differential Lock Servo Bracket



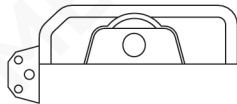
C2 Lower Part of Battery Box



C3 Upper Part of Battery Box



C21



C23



C24  
Spring 5.5x5mm



C3-1 Steel Wire accessories x4



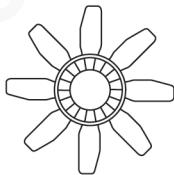
## D Engine and Transmission Housing Set

D1 Motor Gear

D11  
Pinion 48DP 20T



D12



D13

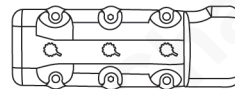


D14

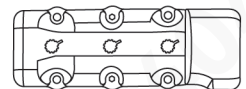


D3 Cylinder Cover

D31

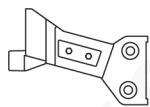


D32



D2 Engine Mount

D21

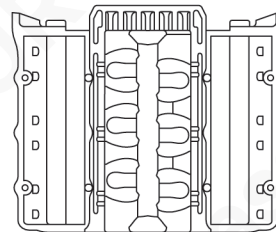


D22

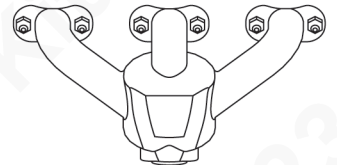


M3x8mm X 2

D33



D34 x2



D4 Engine and Transmission Housing Set

D4-11



D4-12 x2



D4-13



D4-14



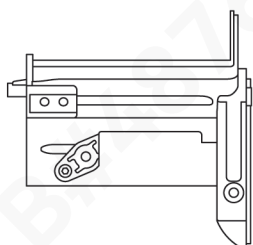
D4-15



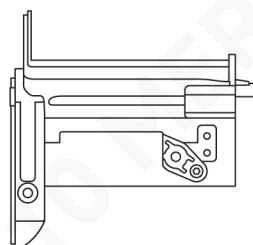
D4-16



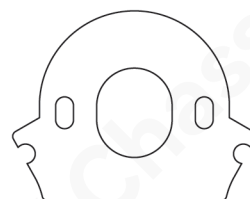
D4-17



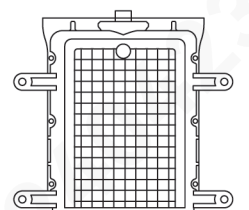
D4-18






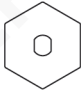

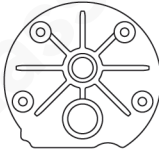






D4-19




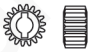

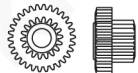

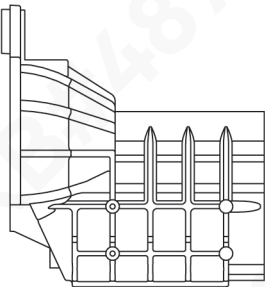


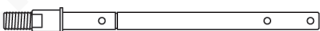


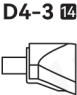


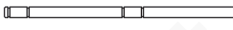






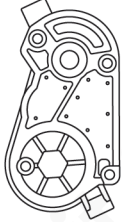
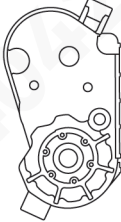

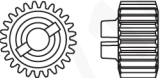


D4-110



# PARTS REFERENCE







<b>D4-2 1</b> 	<b>D4-2 2</b> 	<b>D4-2 3</b> 	<b>D4-2 4</b> 	<b>D4-2 5</b> 56T Spur Gear 	<b>D4-2 6</b> 	<b>D4-2 7</b> E3.5 e-clip x3 	<b>D4-2 8</b> Bearing 5x9x3mm 	
<b>D4-2 9</b> 	<b>D4-2 10</b> 	<b>D4-2 11</b> 	<b>D4-2 12</b> E2 e-clip x8 					

<b>D4-3 1</b> Bearing 4x7x2.5mm x12 	<b>D4-3 2</b> Copper Bushing 4x7x2mm x7 	<b>D4-3 3</b> Plastic Ring 4x5.5x5mm x2 	<b>D4-3 4</b> 18T Drive Gear x2 	<b>D4-3 5</b> 30T Drive Gear x2 	<b>D4-3 6</b> 30T/18T Drive Gear x4 	<b>D4-3 7</b> Pin 1.5x6mm x2 
<b>D4-3 8</b> 	<b>D4-3 9</b> 	<b>D4-3 10</b> 	<b>D4-3 11</b> Drive Gear Shaft 4x73mm 	<b>D4-3 12</b> Drive Gear Shaft 4x50.5mm 	<b>D4-3 13</b> 	
	<b>D4-3 14</b> 	<b>D4-3 15</b> 	<b>D4-3 16</b> Drive Gear Shaft 4x69mm 	<b>D4-3 17</b> Drive Shaft 2.5x55mm 		

<b>D4-4 1</b> Pin 1.5x8mm 	<b>D4-4 2</b> Shaft 15.5x4mm 	<b>D4-4 3 x2</b> Drive Gear Shaft 4x21mm 	<b>D4-4 4</b> Shaft 2.5x25mm 	<b>D4-4 5</b> 	<b>D4-4 6</b> 
<b>D4-4 7</b> 22T Drive Gear x2 	<b>D4-4 8</b> 25T Drive Gear x2 	<b>D4-4 9</b> 	<b>D4-4 10</b> 		

## **E** Exhaust Pipe Kit

### E1 Exhaust Pipe & Muffler

<b>E1 1</b> Exhaust Pipe Tip for 48780 	<b>E1 2</b> Muffler 	<b>E1 3</b> 	<b>E1 4</b> Exhaust Pipe A for 48780 	<b>E1 5</b> Exhaust Pipe B for 48760 
<b>E1 6</b> Exhaust Pipe Tip for 48760 				

### E2 Exhaust Manifold

<b>E1-1 1</b> for 48760 x2 	<b>E2 1</b> 	<b>E2 2</b> 
<b>E1-1 2</b> for 48780 		

# PARTS REFERENCE

## F Axle Set

### F1 Differential Lock


**F1**  
Length 115~120mm  $\Phi$ 2mm




**F12**  
Length 95~100mm  $\Phi$ 2mm x2



**F13**  
Length 40~45mm  $\Phi$ 2mm




**F14**  
Length 70~75mm  $\Phi$ 2mm




**F15**



**F16**  
Length 250~260mm  $\Phi$ 1mm



**F17**  
Length 340~350mm  $\Phi$ 1mm



### F2 Wheel Hub

**F2** x4



**F2** x4



### F3 Front Axle Assembly

**F3** x4



**F3** x4



**F3**  
Pin 1.5x9mm x4



**F3** x4



**F3**  
Copper Bushing 4x7x1.5mm x6




**F3** x2



**F3** x2



**F3**  
Copper Bushing 2.5x4.5x4mm x4



**F3**  
Solid Axle 4x83mm




**F3**  
Pin 1.5x6mm x4



**F3** x2



**F3**  
Bearing 4x7x2mm x6



**F3**  
Spring 15x6mm x2



**F3**  
Washer 4x6mm x2



**F3** x2




**F3**  
Solid Axle 4x101mm



**F3**



**F3**  
Bearing 8x12x3.5mm x4



**F3**  
Bevel Gear 45T X2



**F3** x4



**F3**  
20T Bevel Gear X4



**F3**  
15T Bevel Gear X4



**F3**  
Shaft 2x16mm x2



**F3** x2



**F3** x2



**F3** x2



**F3**




**F3** x2



**F3**  
15T Bevel Gear X2



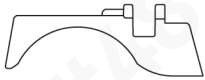
**F3** x2  
Shaft 4x20.6mm



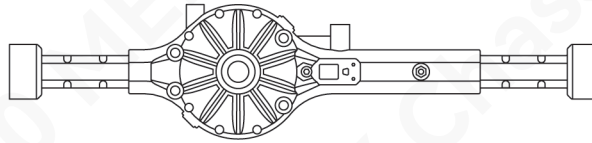
# PARTS REFERENCE

## F4 Rear Axle Assembly

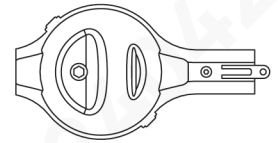
**F4 1**



**F4 2**

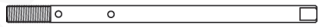


**F4 3**



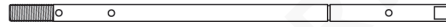
**F4 4**

Solid Axle 4x74mm



**F4 5**

Solid Axle 4x105.5mm



## G Suspension System Package

### G1 Control Arm Set

**G1 1**

Lower Control Arm (L)



**G1 3**

Lower Control Arm (R)



**G1-3**

Shock Absorber bracket

**G1-3 1**

Bumper x2



**G1-3 2**

Bracket



**G1-3 3**

Bracket



**G1-3 4**

Coil Bracket x2



**G1-4**

Shock Absorber

**G1-4 1**

x2



**G1-4 2**

x2



**G1-4-1**

Washer 2.5x6x0.4mm x2



**G1-5**

Limit Strap Length 53mm x2



**G1 2** x16



**G1-1 1**

Axle Mounting Bracket x2



**G1-2**

Spring



**G1-2 1**

C-shaped ring x2

**G1-2 2**

Base x2



**G1-2 3** x2



**G1-2 4** x2



**G1-2 5**

Spring 10x56mm x2



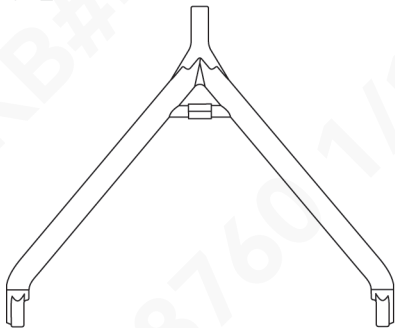
**G1-2 6**

Spring 10x61mm x2



### G2 4-linkage suspension set

**G2 1**



**G2 2** x2



**G2 3**

Base x2



**G2 4** x2



**G2-1**

4-linkage suspension accessories

**G2-1 1**

Coil Bracket x2



**G2-1 2**

C-shaped ring x2



**G2-1 3** x2



**G2-1 4** x4



**G2-1 5** x2



**G2-1 6** x2



**G2-1 7**

Bumper x2



**G2-1 8** x2

Limit Strap Length 53mm x2



**G2 5**

Spring 10x56mm x2



**G2 6**

Spring 10x61mm x2





# PARTS REFERENCE

## G3 Drive shaft

**G3 1**  
Front Center Shaft Set A  
5.2x39mm



**G3 2**  
Front Center Shaft Set B  
7.5x40mm



**G3 3**  
Rear Center Shaft Set A  
5.2x67mm



**G3 4**  
Rear Center Shaft Set B  
7.5x140mm



**G3-1**  
M2 half thread x6



## G4 Hanger x9



## G5 Tie-rod Set

**G5 1**  
Steering Linkage 3.5x112mm



**G5 2** x2



**G5 3**  
Panhard Bar 3.5x90mm



**G5 4**  
Steering Tie-rod 3.5x68mm



**G5 5** x2



**G5 6**



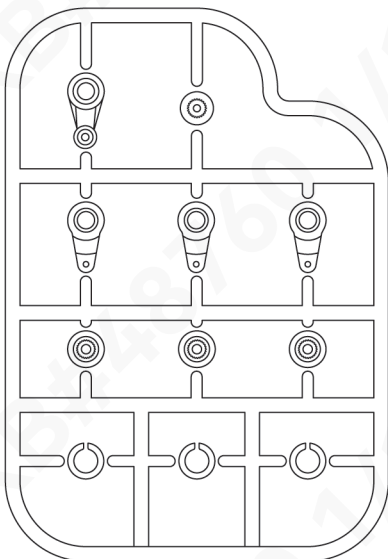
**G5 7**



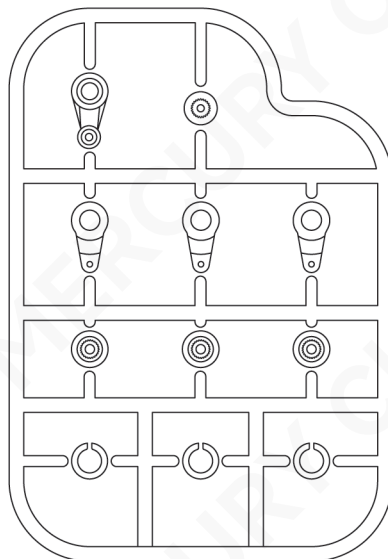
## Steering Server Support Package

### H1 Servo Saver

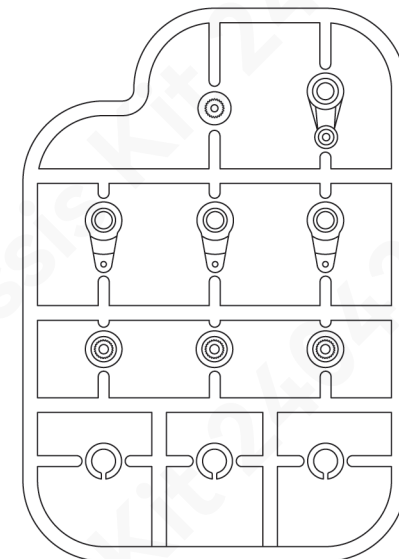
**H1**  
Shaft diameter 4.6



**H1 2**  
Shaft diameter 6.0



**H1 3**  
Shaft diameter 5.0



**H1-1**  
Gasket Clip Rings

**H1-1 1**  
Gasket  
2.5x6x0.4mm x4



**H1-1 2**  
Snap Ring  
10x1mm x8

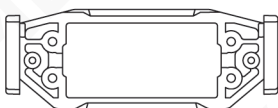


**H1-1 3** x2  
Spring  
8x5.4mm x2

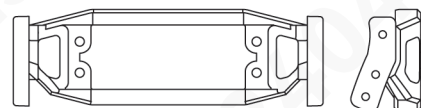


### H2 Servo Mount

**H2 1** Standard Servo Bracket



**H2 2** Nonstandard Servo Bracket

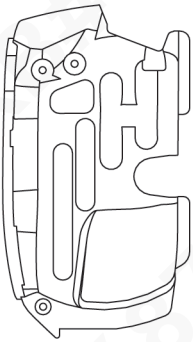


# PARST REFERENCE

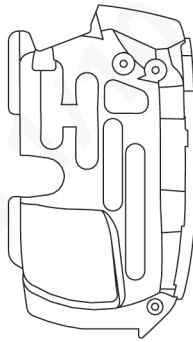
## I Liners Fender Flares and Carriage Installation Fixing Point

### I1 Liners Fender Flares

I1 1 (L)



I1 2 (R)



I1 3



### I2 Carriage Installation Fixing Point

I2 1 x2



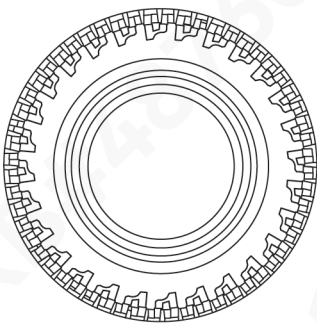
I2 2 x2



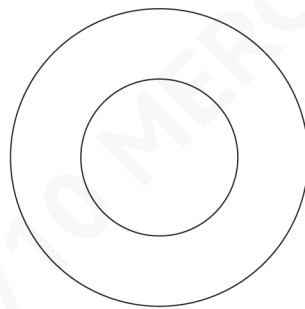
## J Wheel kit

### J1 Tyre

J1 1 x4  
3.5 inch



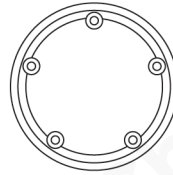
J1 2 x4  
Sponge



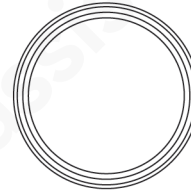
### J2 Rim

Aluminum Alloy Wheel 1.55 inch

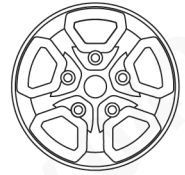
J2 1 x4



J2 2 x4




J2 3 x4





## K Screw and Tool Set


### K1 Screw

 M2x6mm X 20

 M2x8mm X 52

 M2x10mm X 30


 M2x12mm X 36

 M2.5x10mm X 4

 M2.5x7mm X 3

 M1.6x6mm X 8

 M2x6mm X 15

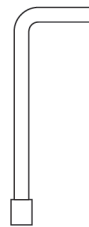
 M2x6mm X 20  
Outer HEX

 O rings X 4

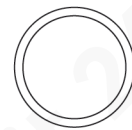
 M1.7mm X 8

 M2mm X 4

### K2 Toolkit



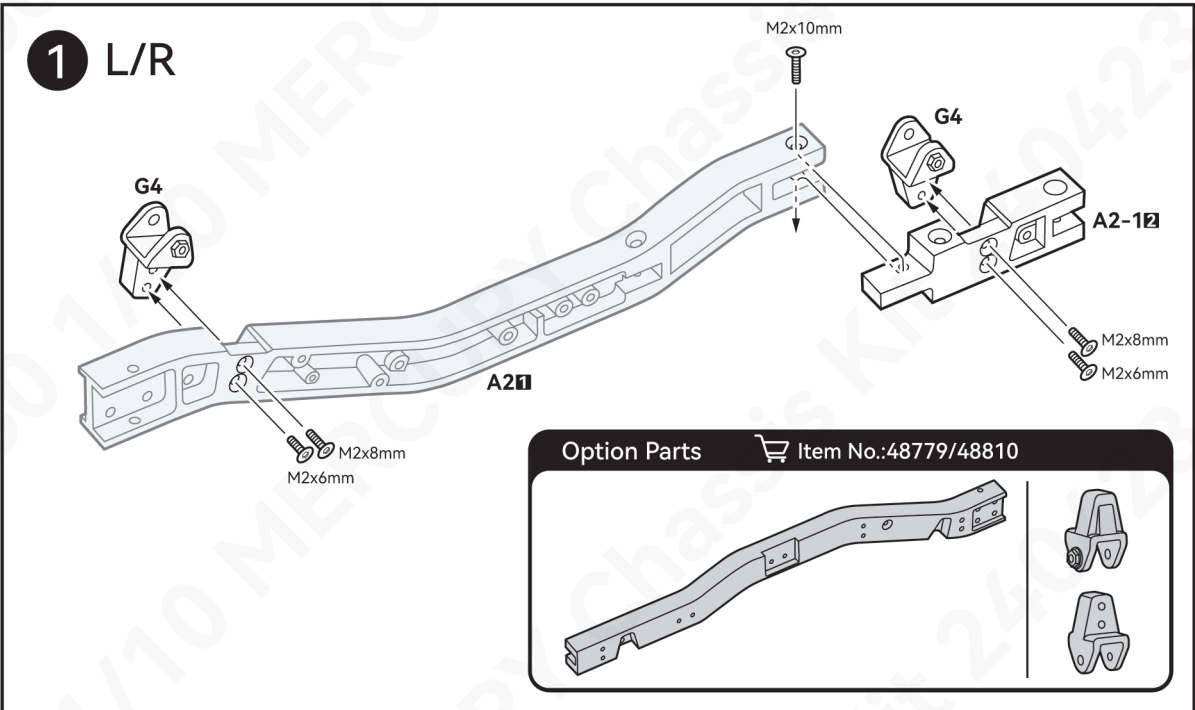
### K3 Diff Fluid (50W)


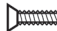



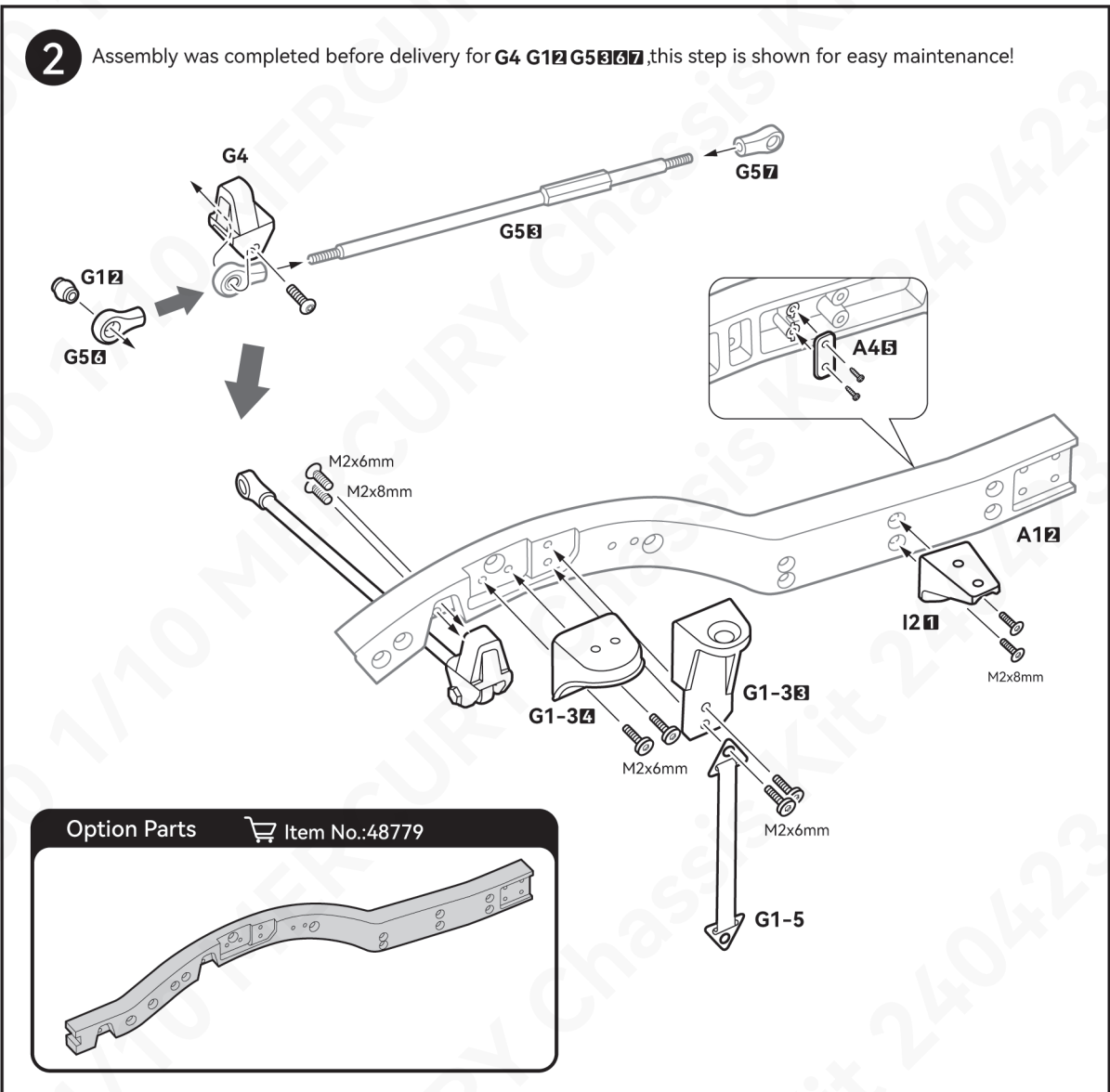
# INSTALL

**A** 1 ~ 4  
Open Bag A

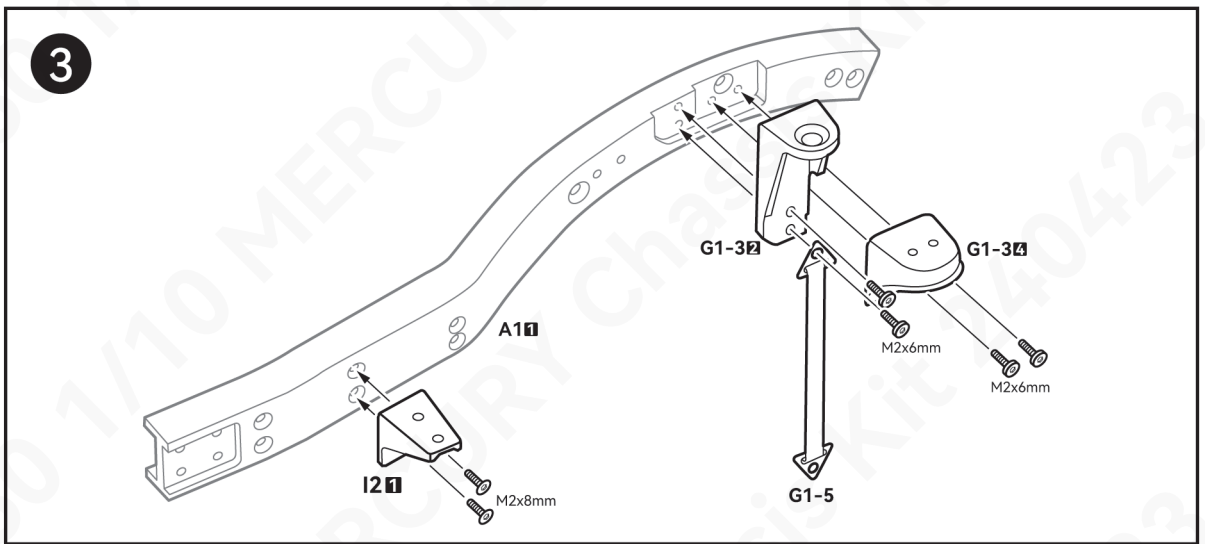
-  M2x6mm X 4
-  M2x8mm X 4
-  M2x10mm X 2



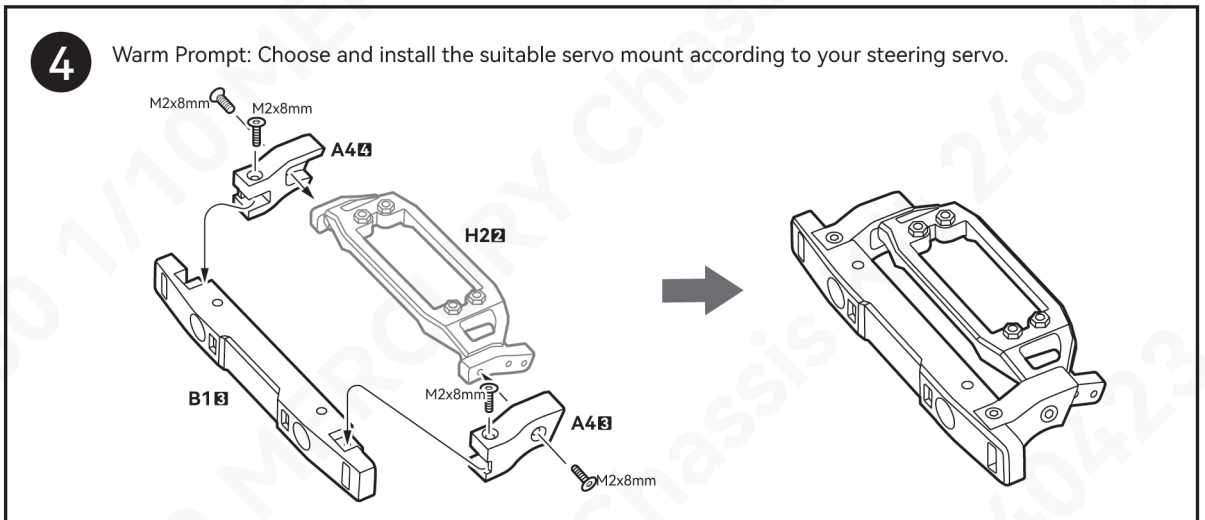
-  M2x6mm X 1
-  M2x8mm X 3
-  M2x6mm X 4



- M2x8mm X 2
- M2x6mm X 4

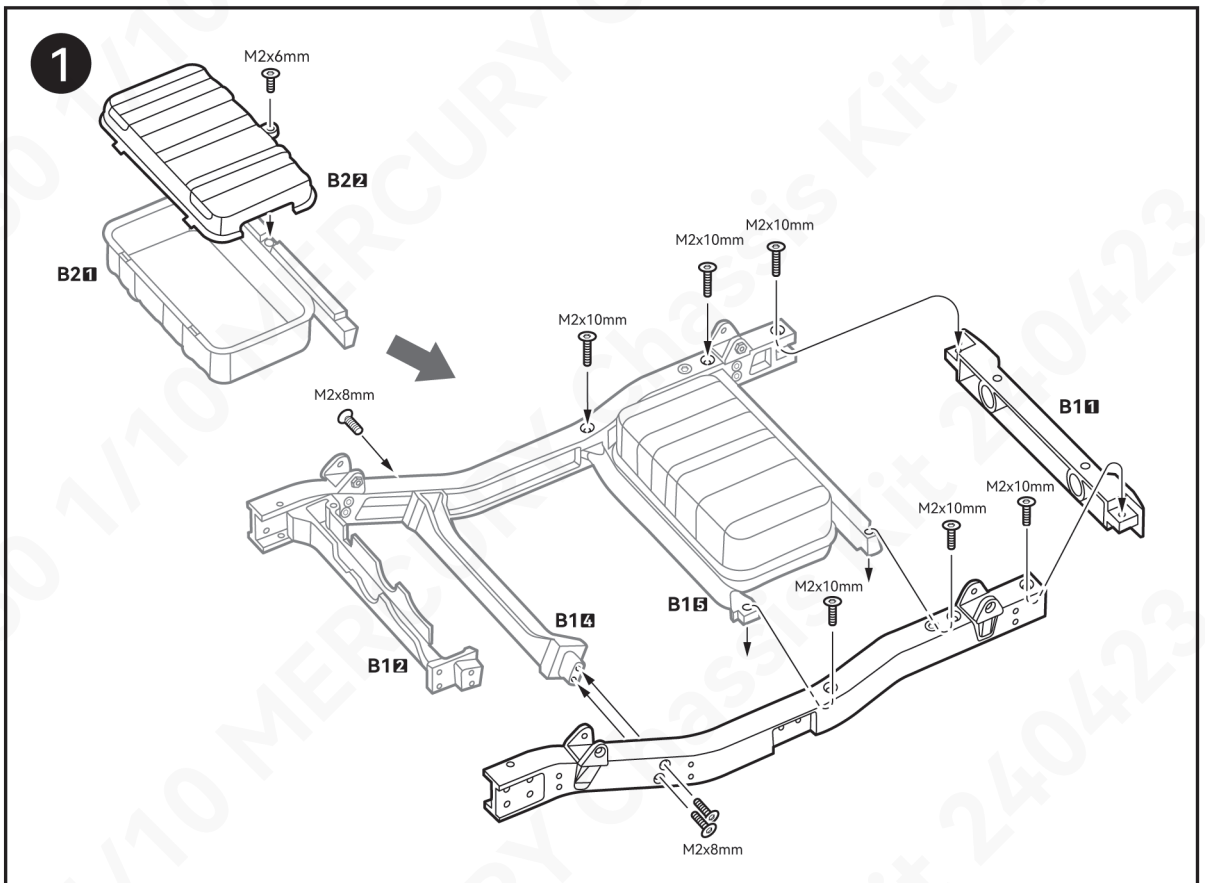


- M2x8mm X 4






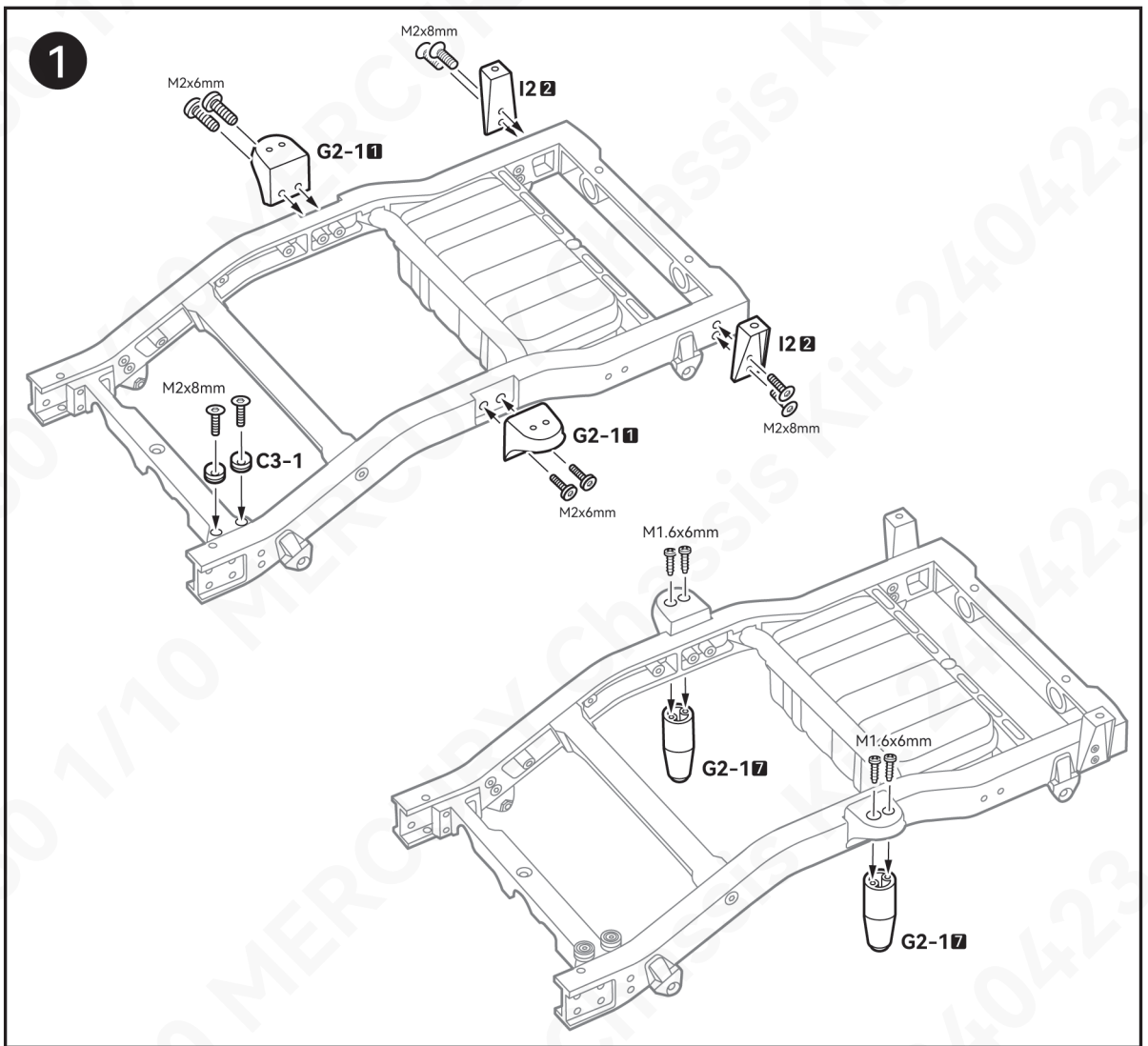
**B** **1** Open Bag B

- M2x6mm X 1
- M2x8mm X 3
- M2x10mm X 6

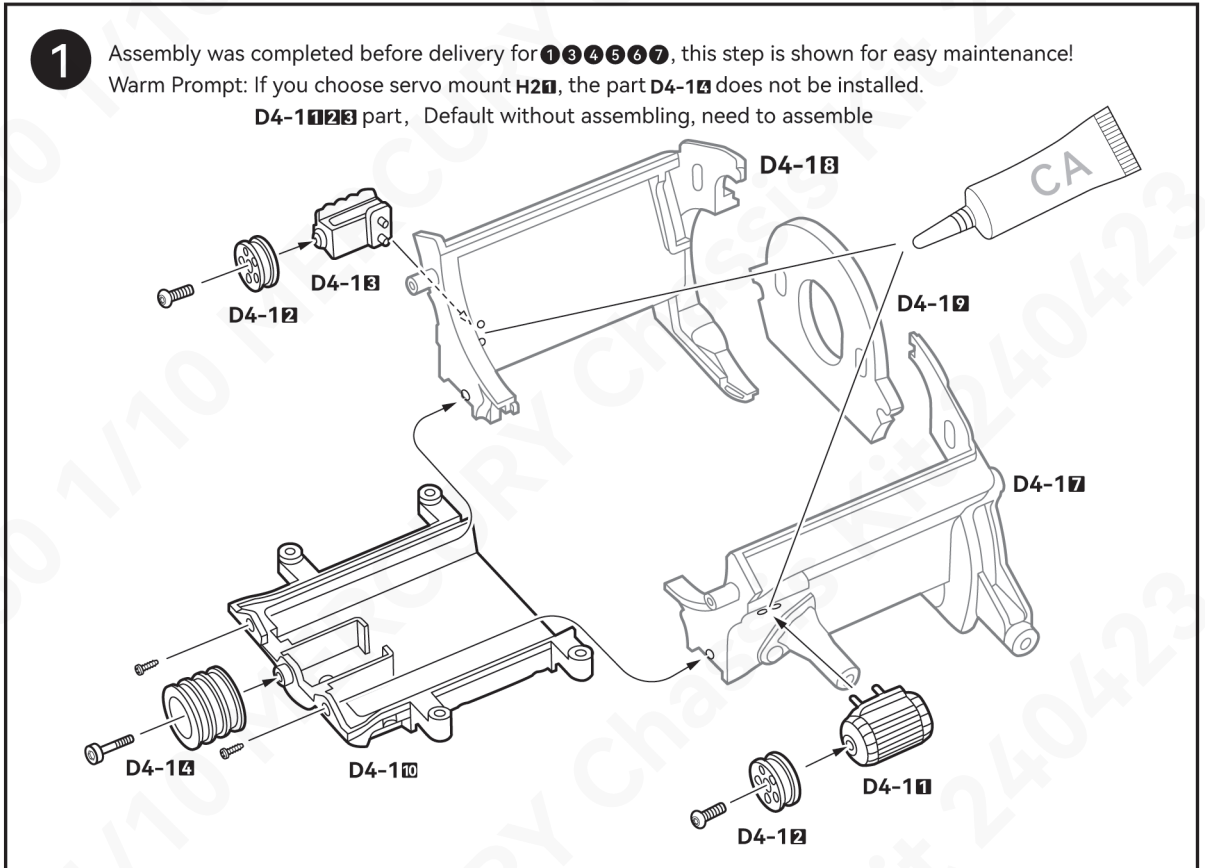


**C** **1**  
Open Bag C

-  M2x8mm X 6
-  M1.6x6mm X 4
-  M2x6mm X 4



**D** **1 ~ 13**  
Open Bag D





M3x8mm X 2

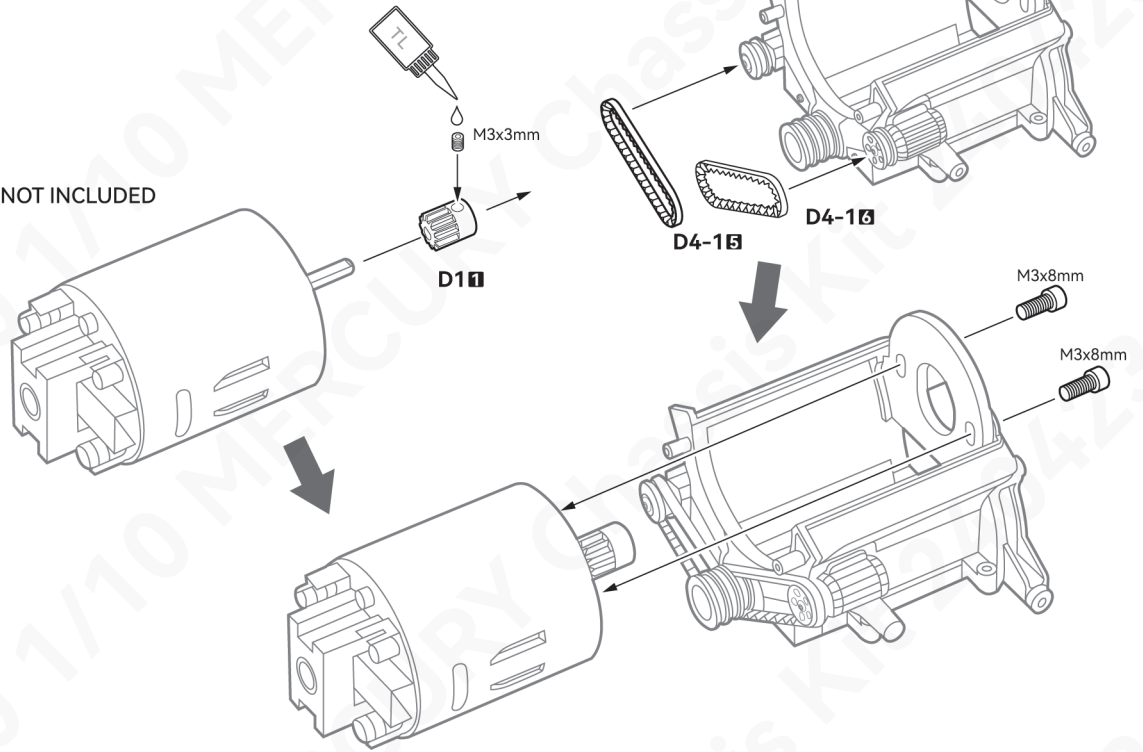


M3x3mm X 1

**2**

Warm Prompt: The cooling fan can not be installed  
Warm Prompt: If you choose servo mount H2, the part D4-1B does not be installed.

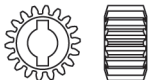
NOT INCLUDED



**D4-2 7**  
E3.5 e-clip x1



**D4-3 1**  
Bearing 4x7x2.5mm x3

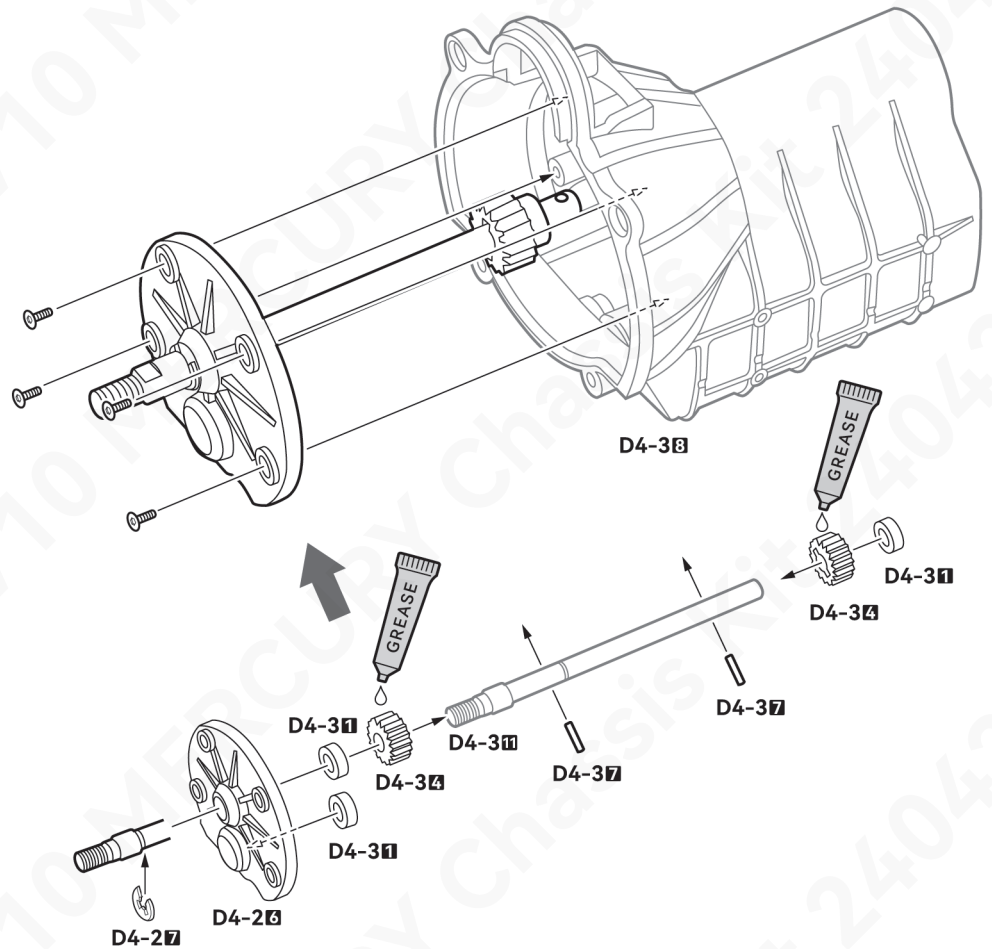


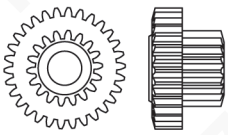
**D4-3 4**  
18T Drive Gear x2



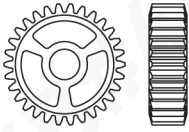
**D4-3 7**  
Pin 1.5x6mm x2

**3**





D4-3 6  
30T/18T Drive Gear x4



D4-3 6  
30T Drive Gear x2



D4-3 1  
Bearing 4x7x2.5mm x4



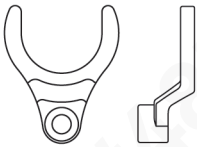
D4-2 12  
E2 e-clip x2



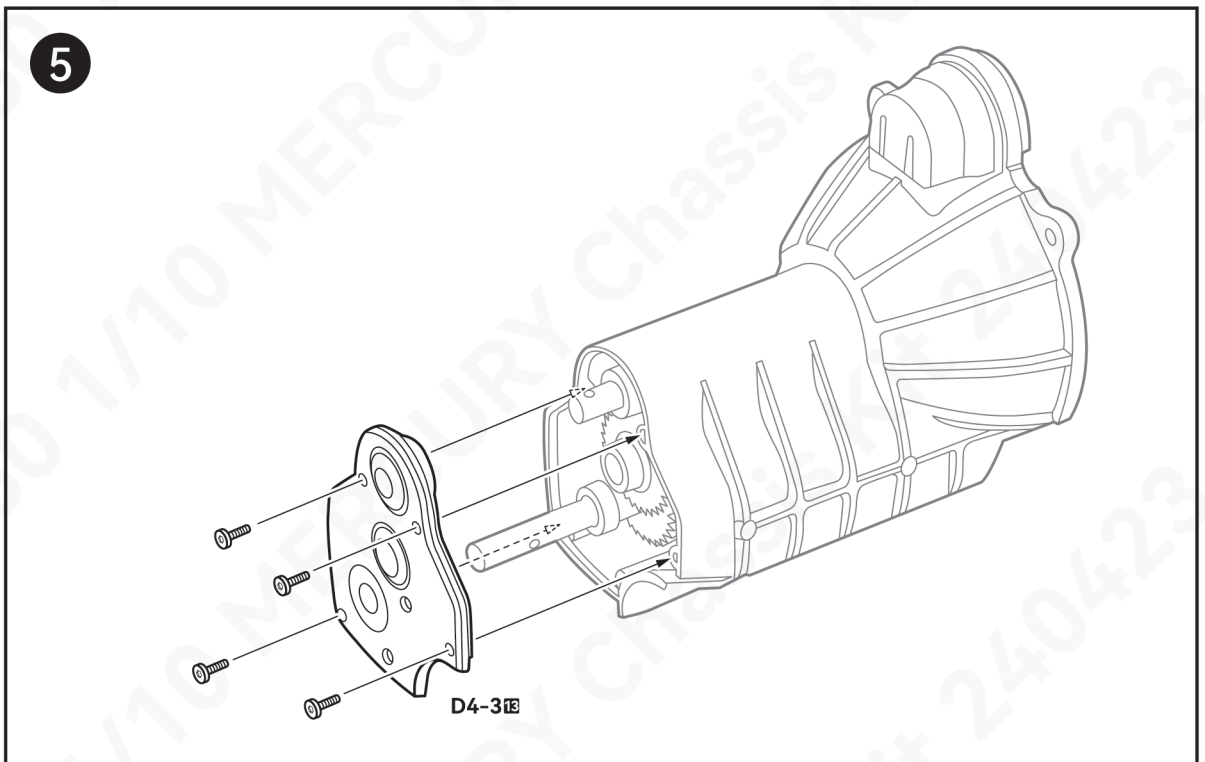
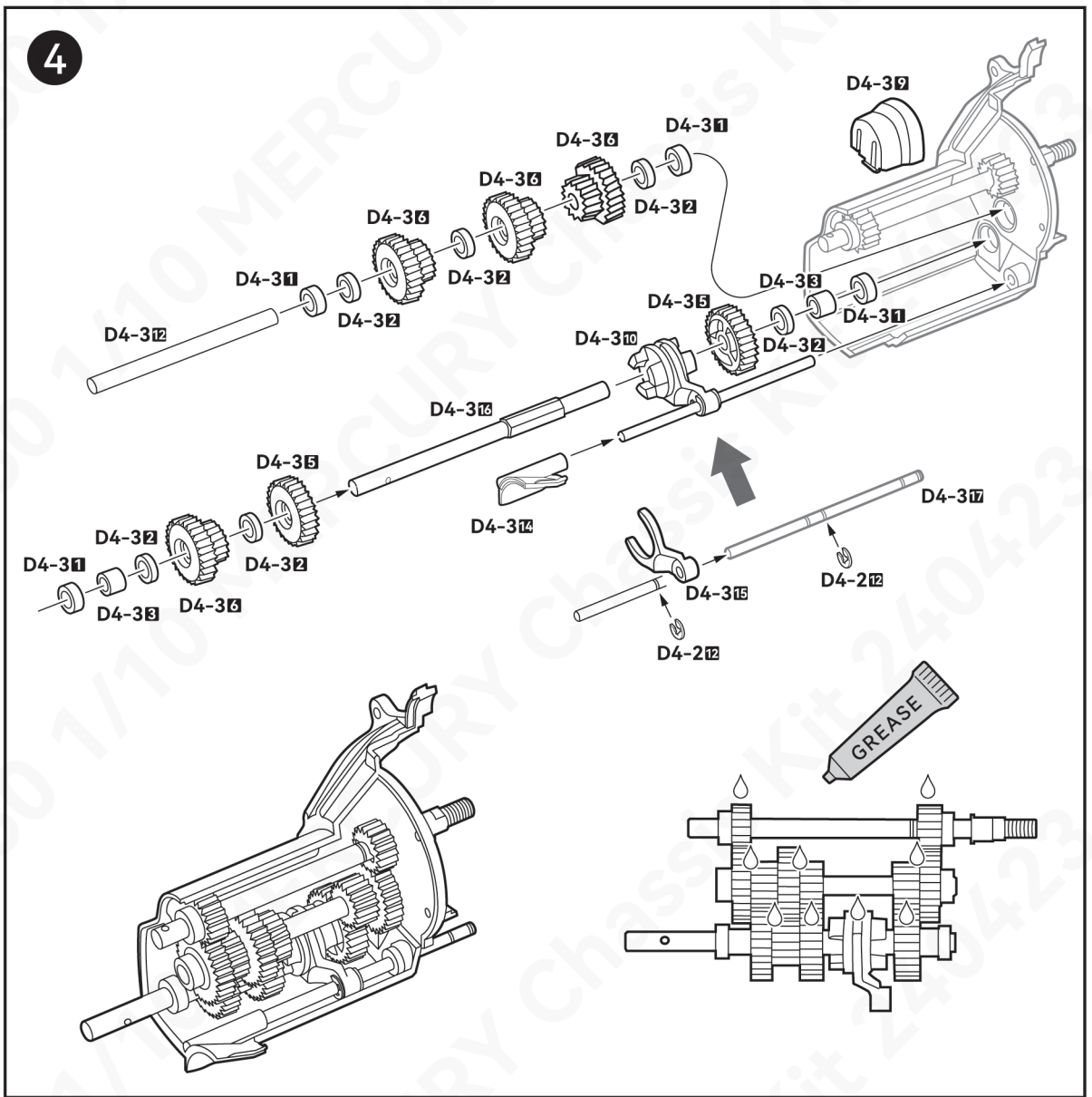
D4-3 2  
Copper bushing 4x7x2mm x6



D4-3 3  
Plastic ring 4x5.5x5mm x2



D4-3 16

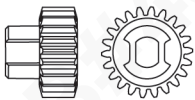




**D4-3 1**  
Bearing 4x7x2.5mm x6



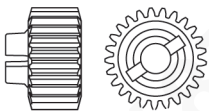
**D4-4 1**  
Pin 1.5x8mm



**D4-4 7**  
22T Drive Gear x2



**D4-4 2**  
Shaft 15.5x4mm



**D4-4 8**  
25T Drive Gear x2



**D4-2 7**  
E3.5 e-clip x2



**D4-2 12**  
E2 e-clip x2



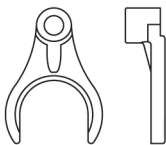
**D4-3 2**  
Copper bushing 4x7x2mm x2



**D4-4 8 x2**  
Drive gear shaft 4x21mm



**D4-4 4**  
Axle 2.5x25mm

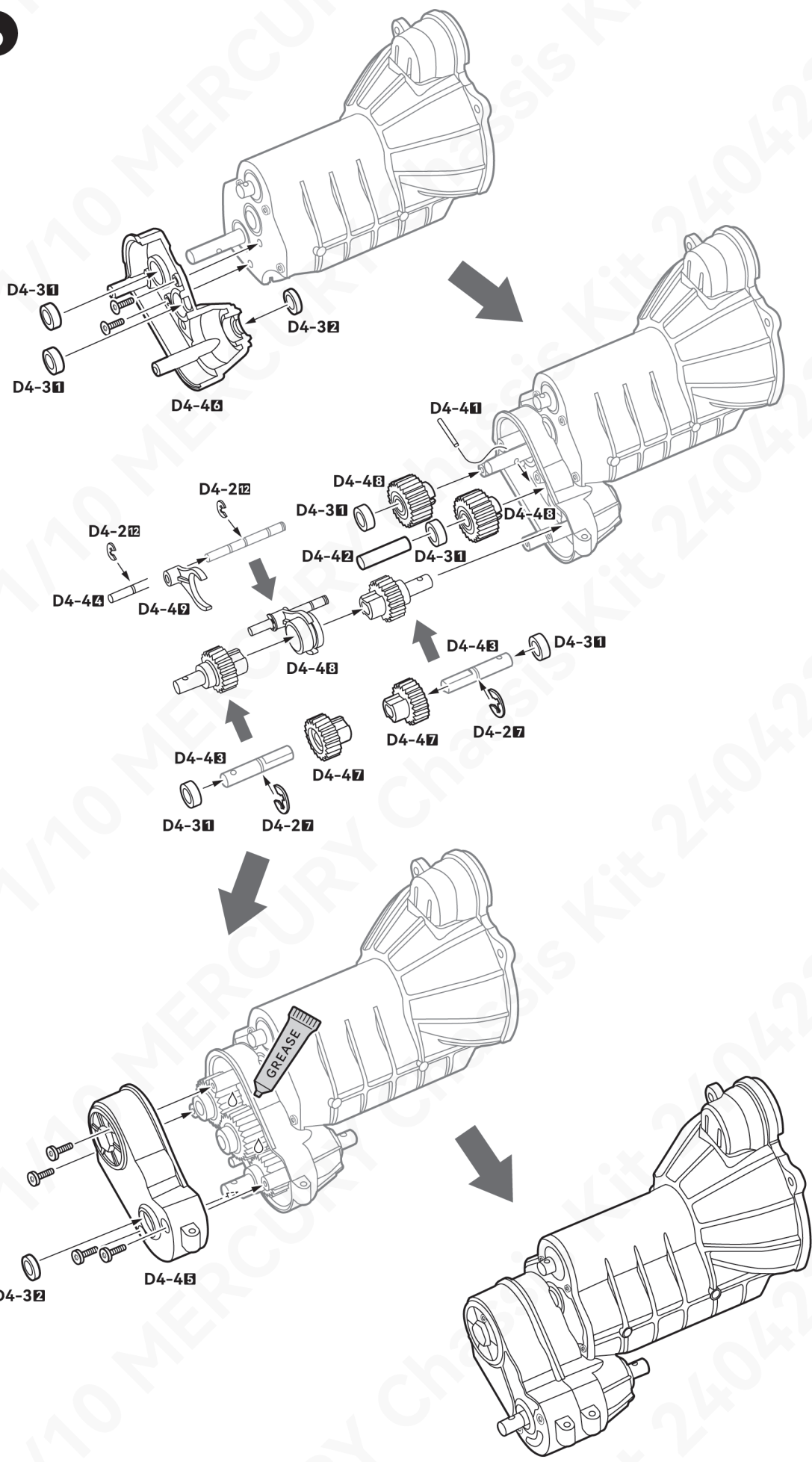


**D4-4 9**



**D4-4 10**

**6**

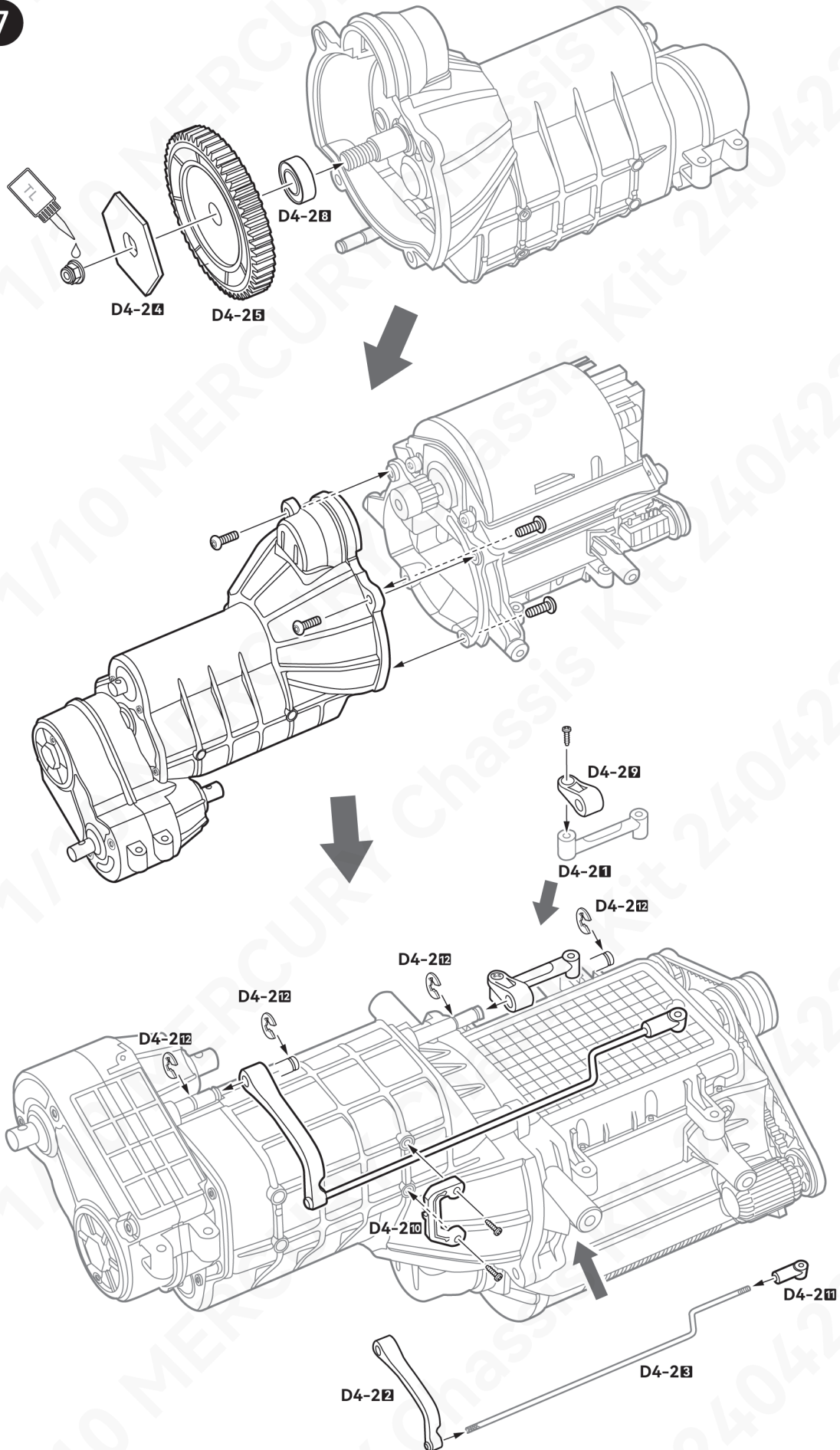






D4-2 8  
Bearing 5x9x3mm

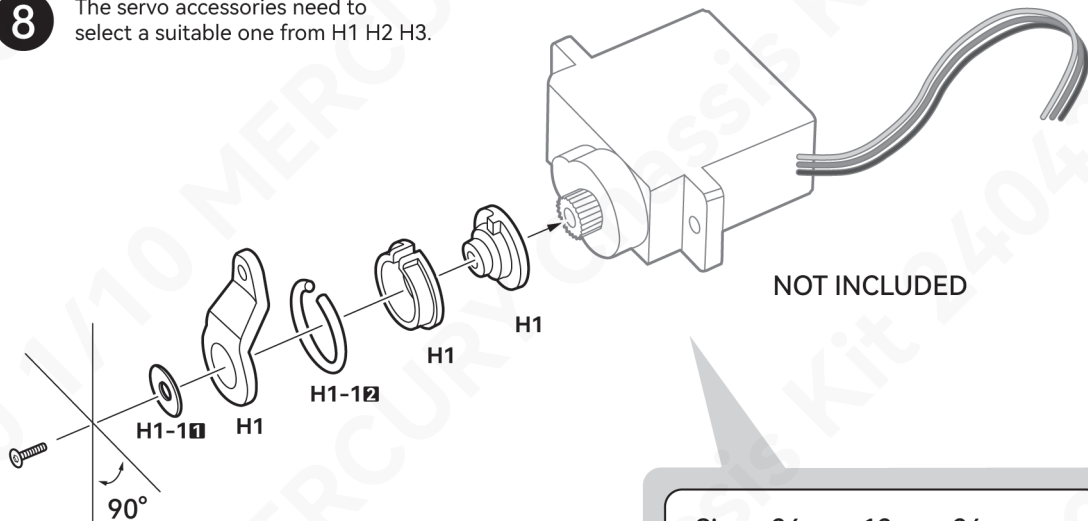
7



D4-2 12  
E2 e-clip x4

8

The servo accessories need to select a suitable one from H1 H2 H3.






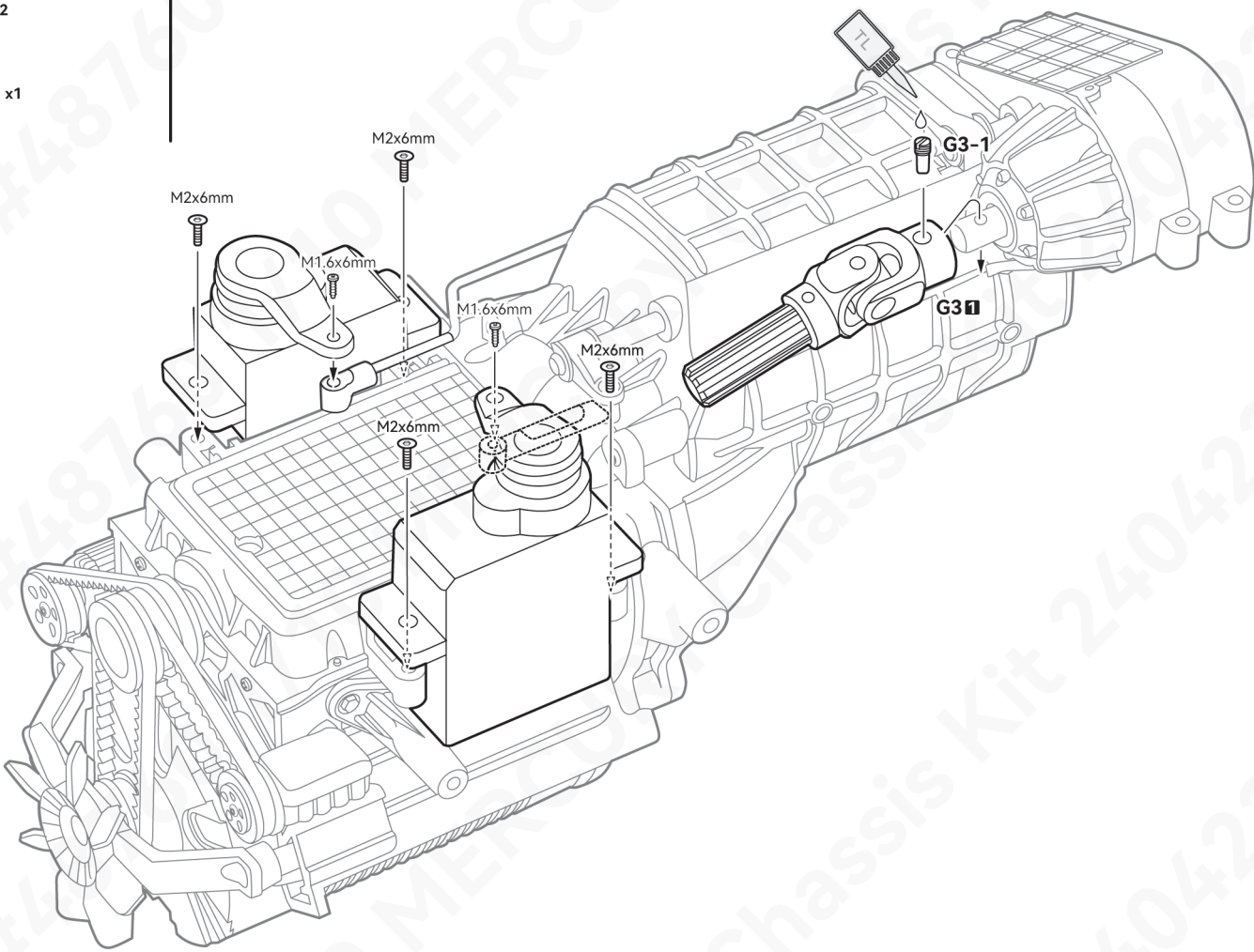
NOT INCLUDED

Size: 26mmx12mmx24mm  
 24mmx12.5mmx22.5mm  
 Torque: 4kg/2.2kg

Install when servo is in neutral position.

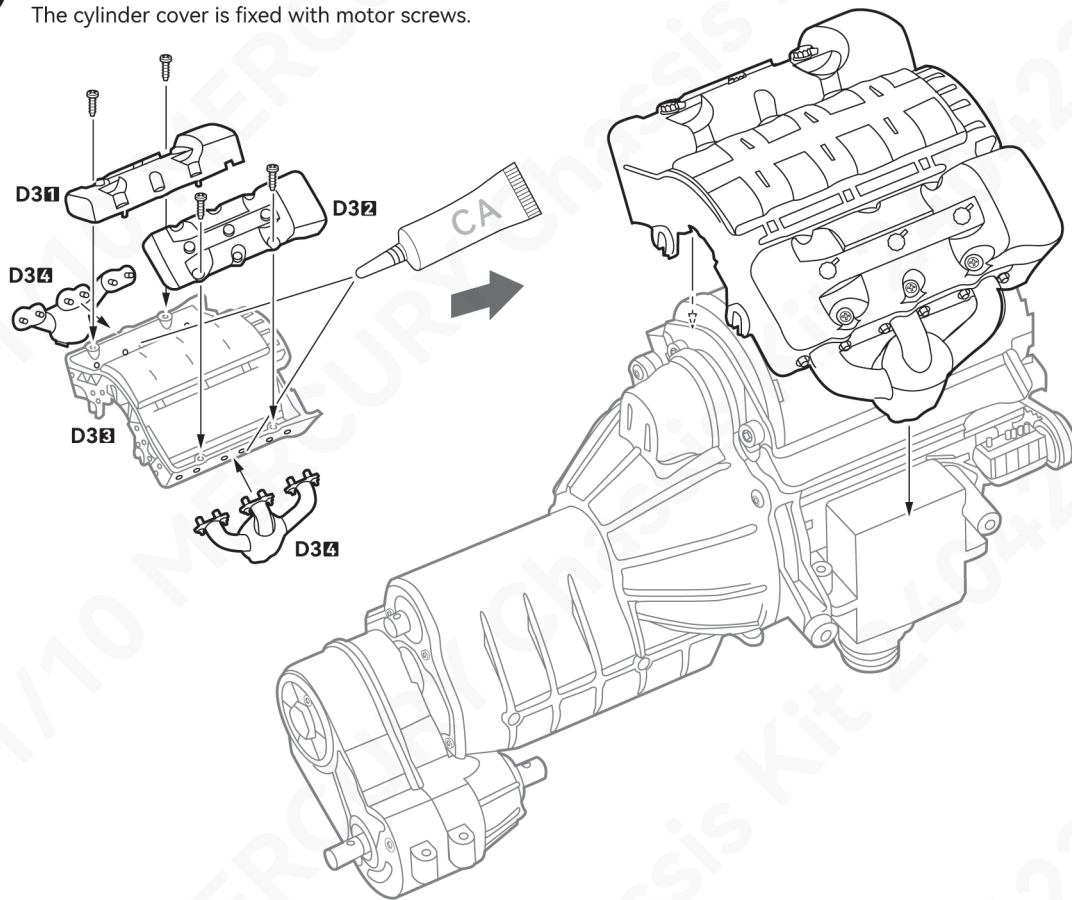
9

-  M2x6mm X 4
-  M1.6x6mm X 2
-  G3-1
- M2 half thread x1

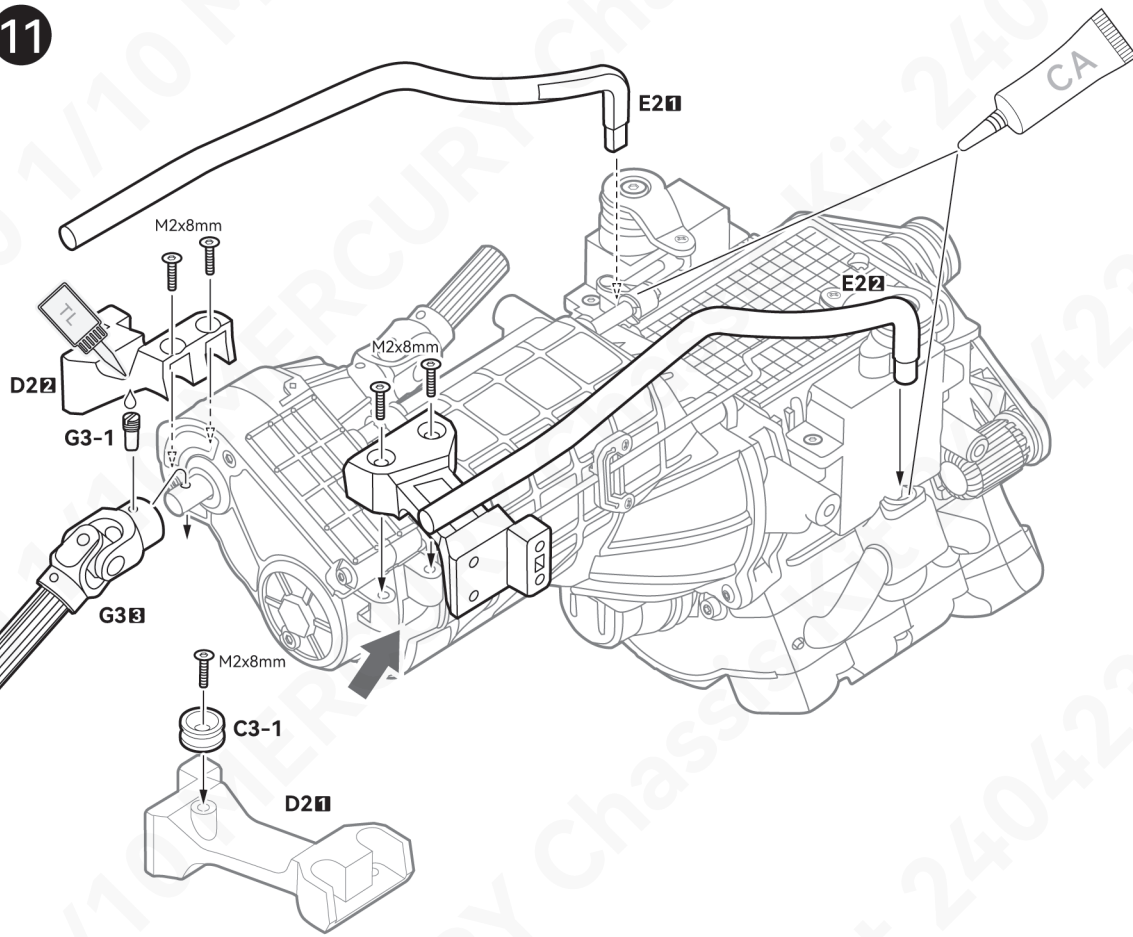


10

Assembly was completed before delivery for **D31284**, this step is shown for easy maintenance!  
The cylinder cover is fixed with motor screws.



11



M2x8mm X 5



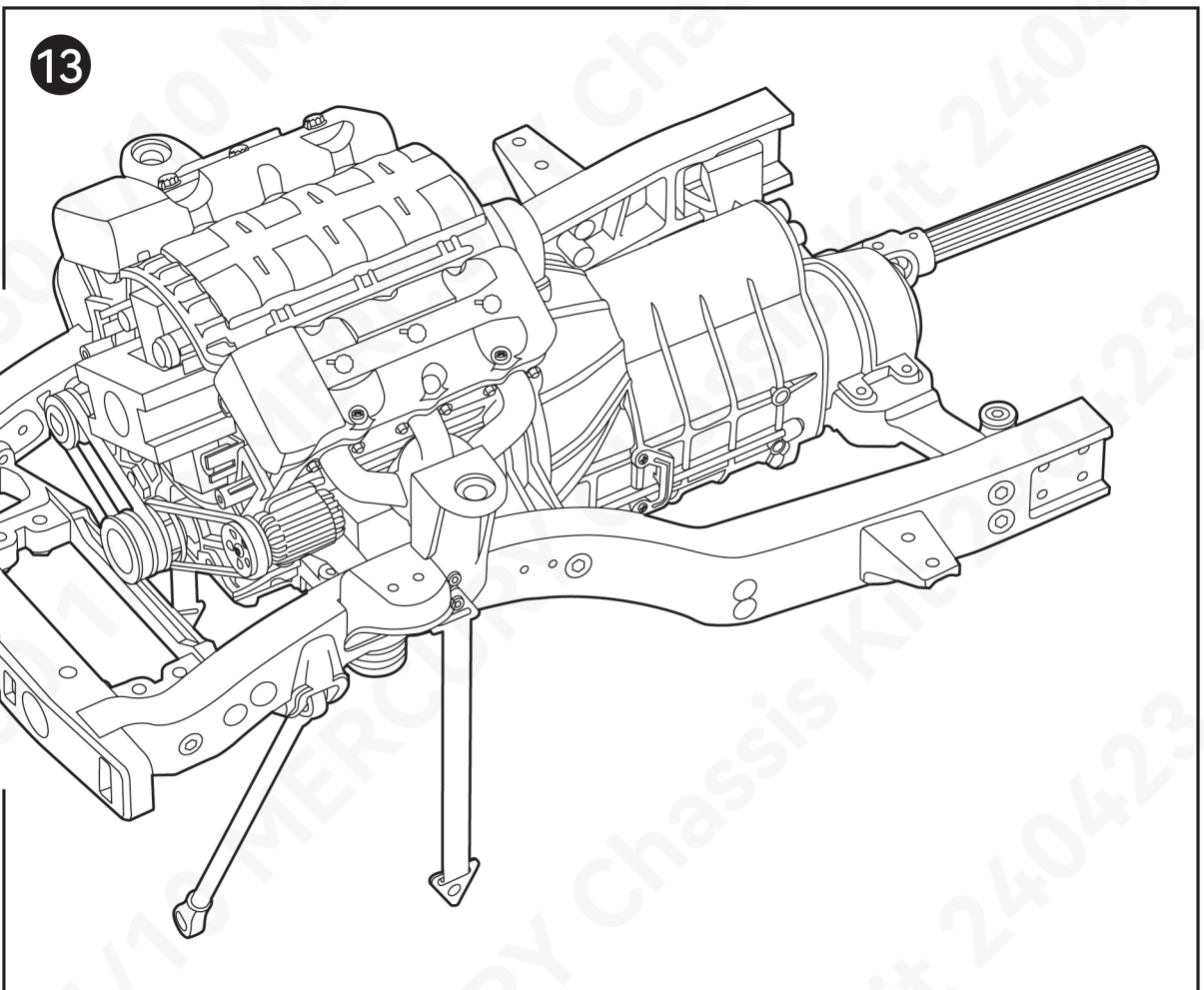
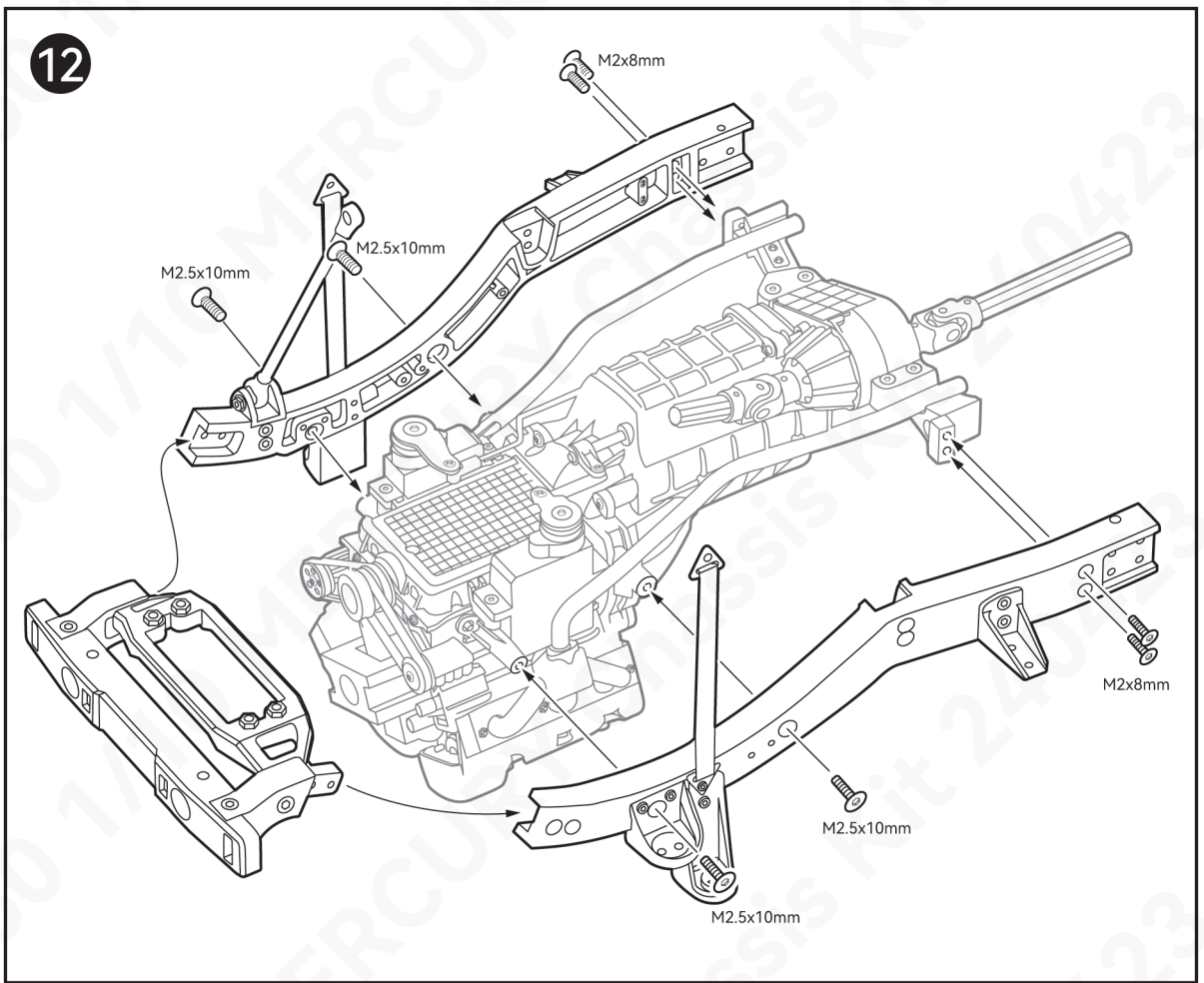
G3-1  
M2 half thread x1



M2.5x10mm X 4



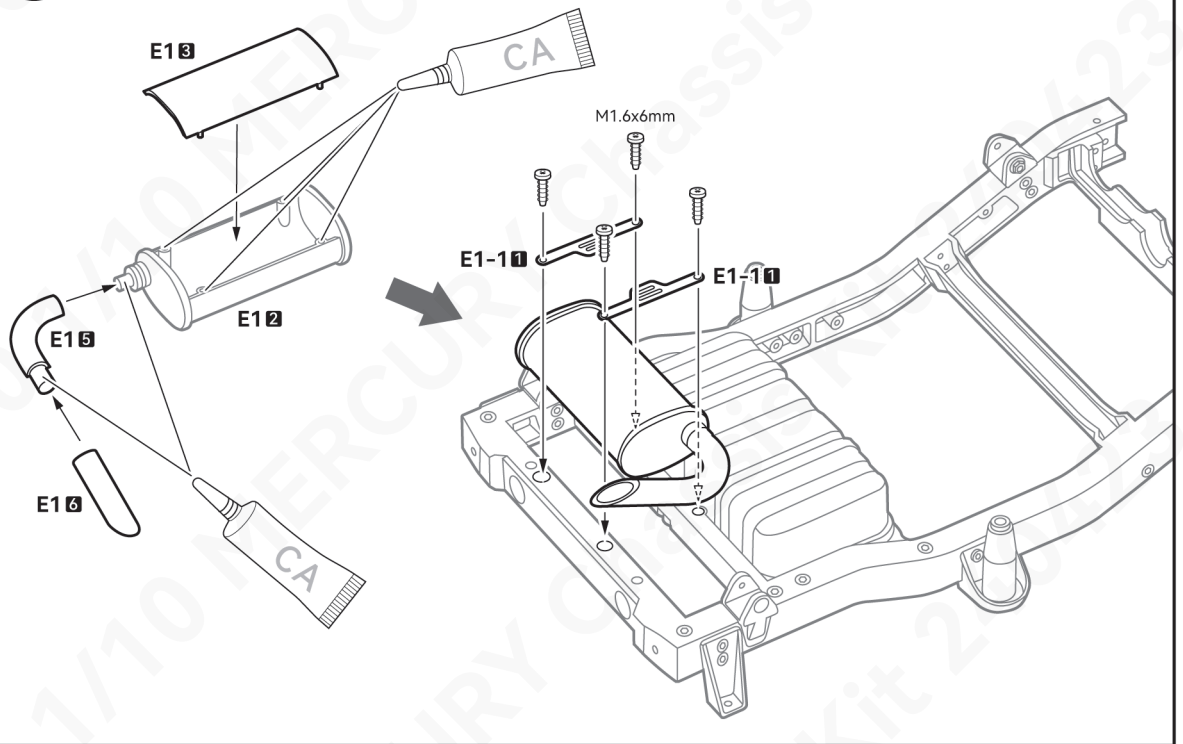
M2x8mm X 4



**E** **1** Open Bag E

M1.6x6mm X 4

**1** Assembly was completed before delivery for **E1 2 3**, this step is shown for easy maintenance!



**F** **1 ~ 6** Open Bag F

**F3 1 2**  
Bearing 4x7x2mm

**F3 1 3**  
Bearing 8x12x3.5mm x2

**F3 2 0** x2

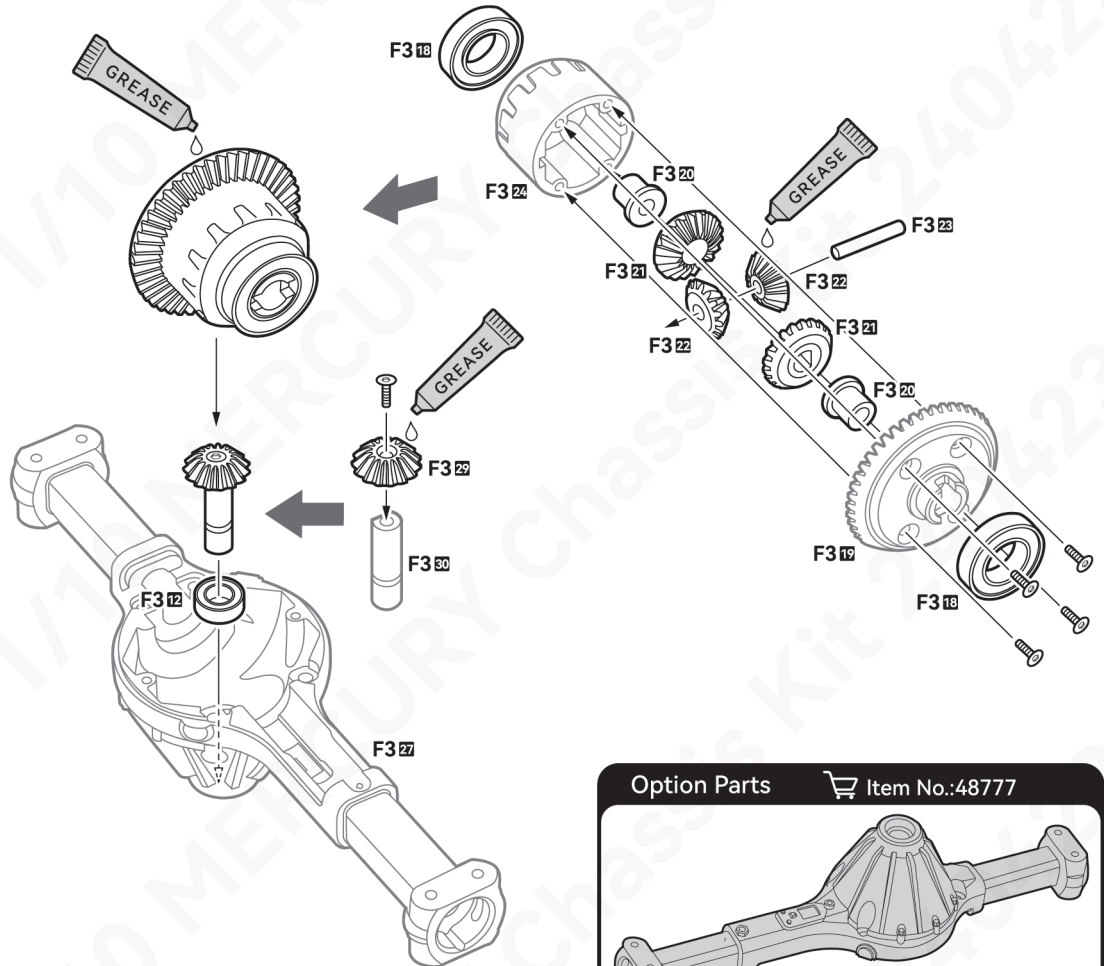
**F3 2 1**  
20T Bevel Gear X2

**F3 2 2**  
15T Bevel Gear X2

**F3 2 3**  
Shaft 2x16mm

**F3 2 4**  
15T Bevel Gear

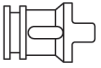
**1** Assembly was completed before delivery for **1 2 3 4 5 6**, this step is shown for easy maintenance!



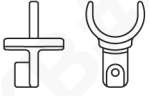
Option Parts Item No.:48777



F3 12  
Bearing 4x7x2mm x2



F3 11



F3 15



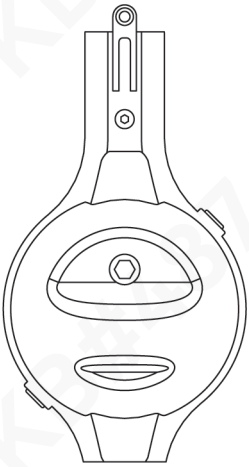
F3 13  
Spring 15x6mm



F3 14  
Washer 4x6mm

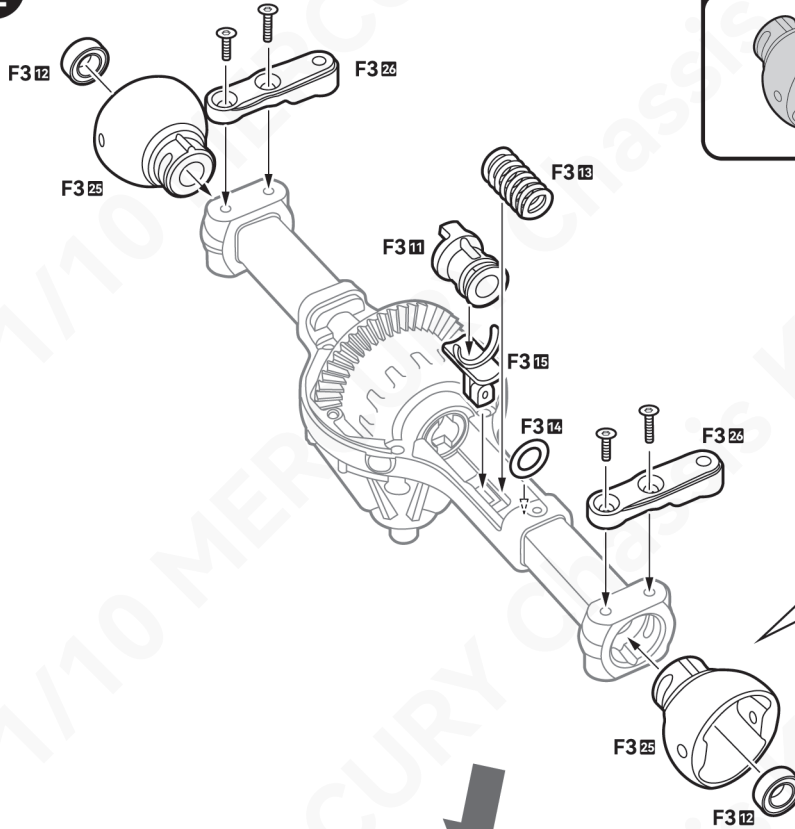


F3 10  
Pin 1.5x6mm

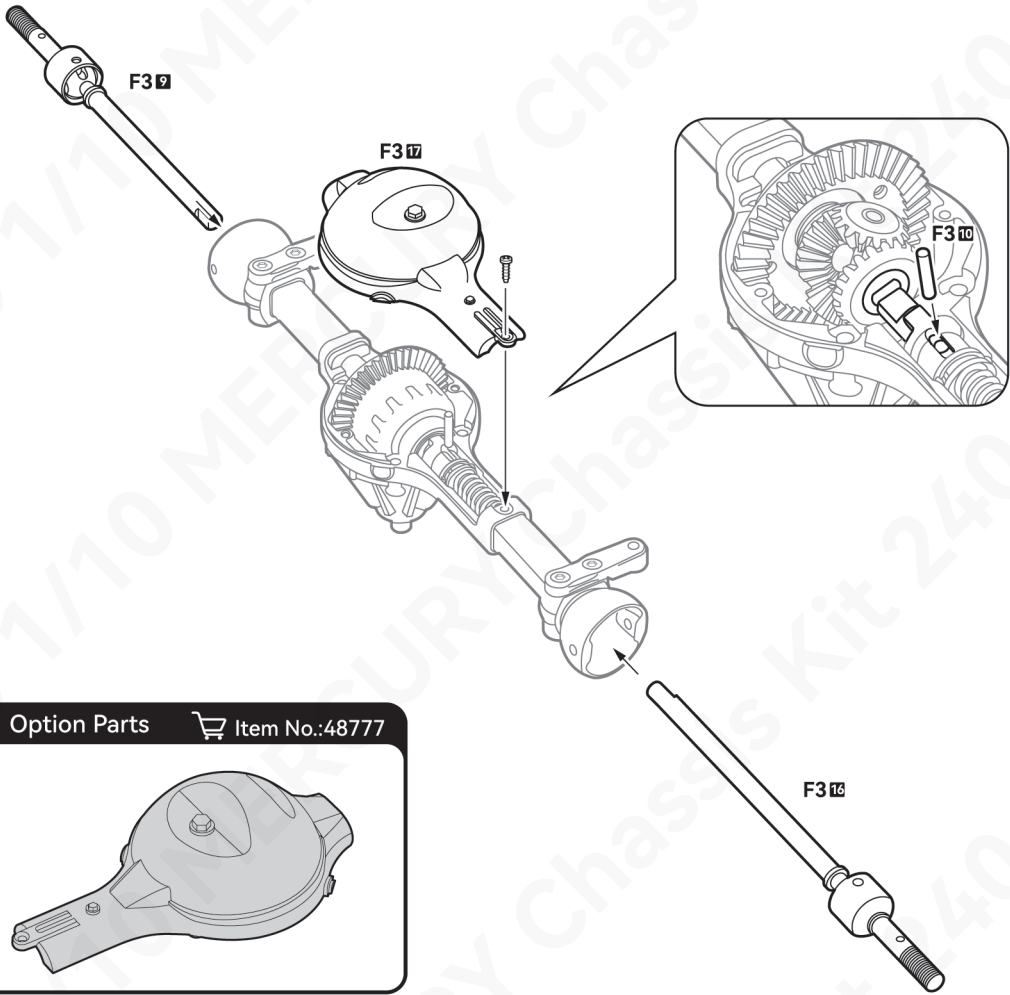


F3 17

2



Option Parts Item No.:48809



Option Parts Item No.:48777



**F3 5**  
Copper bushing 4x7x1.5mm x2



**F3 8**  
Copper bushing 2.5x4.5x4mm x4



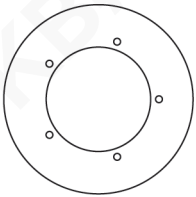
**F3 12**  
Bearing 4x7x2mm x3



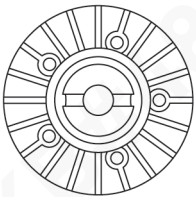
**F3 28**



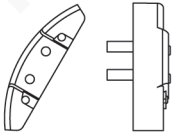
**F3 8**  
Pin 1.5x9mm x2



**F3 1** x2



**F3 2** x2

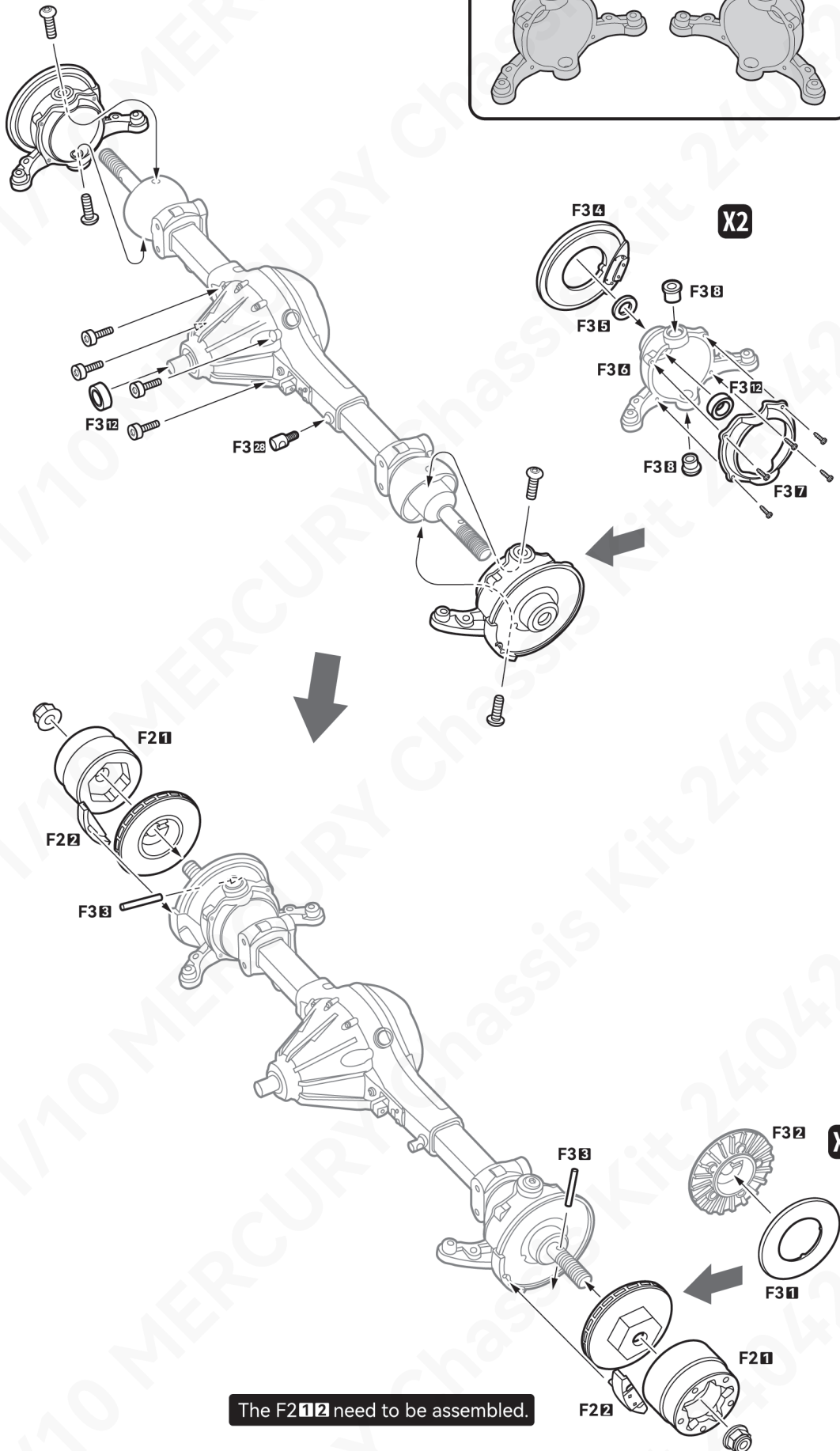
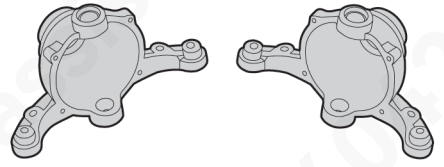


**F2 2** x2

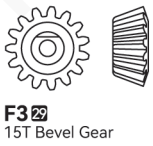
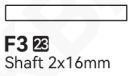
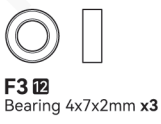
**3**

Option Parts

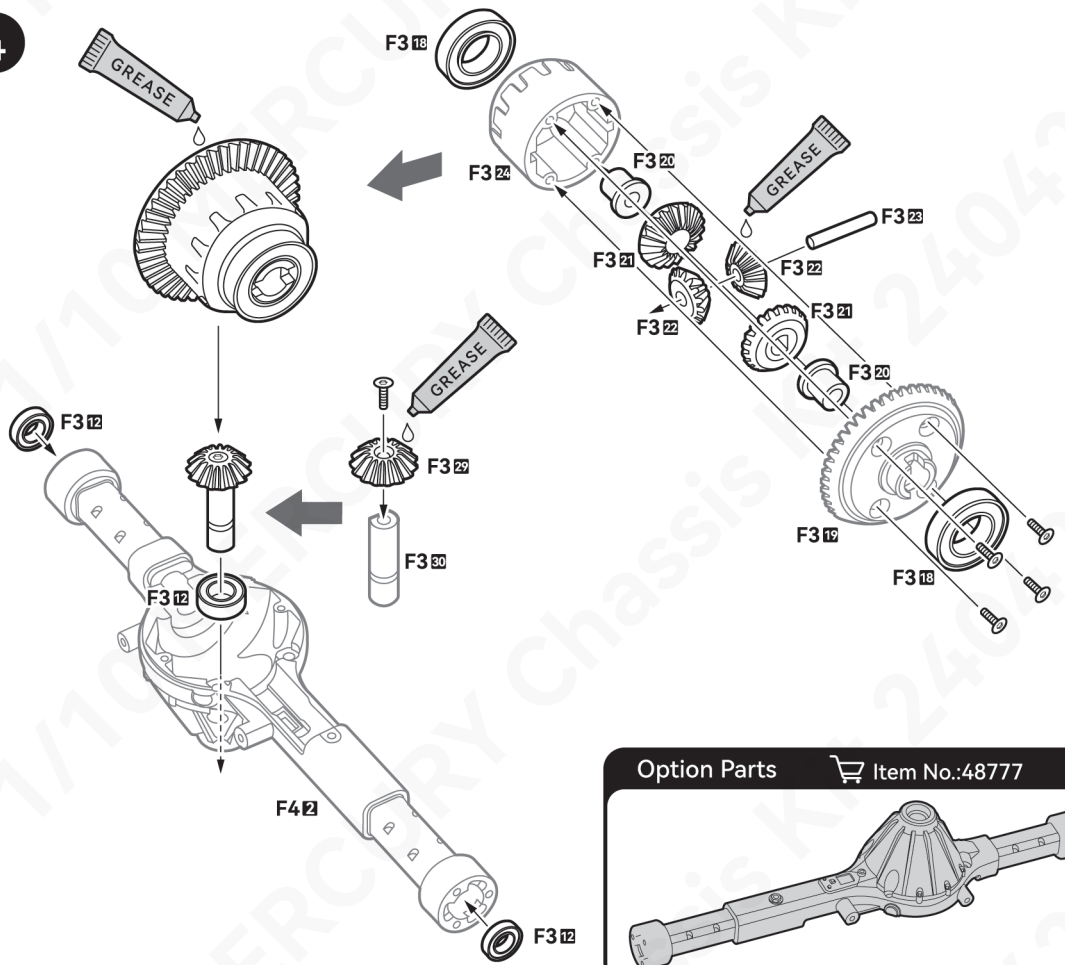
Item No.:48809



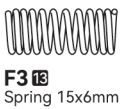
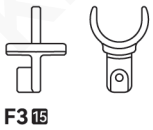
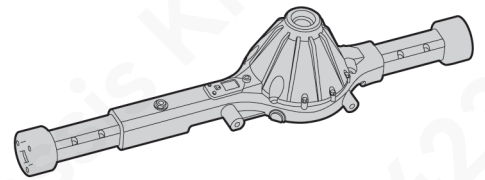
The F2 1 2 need to be assembled.



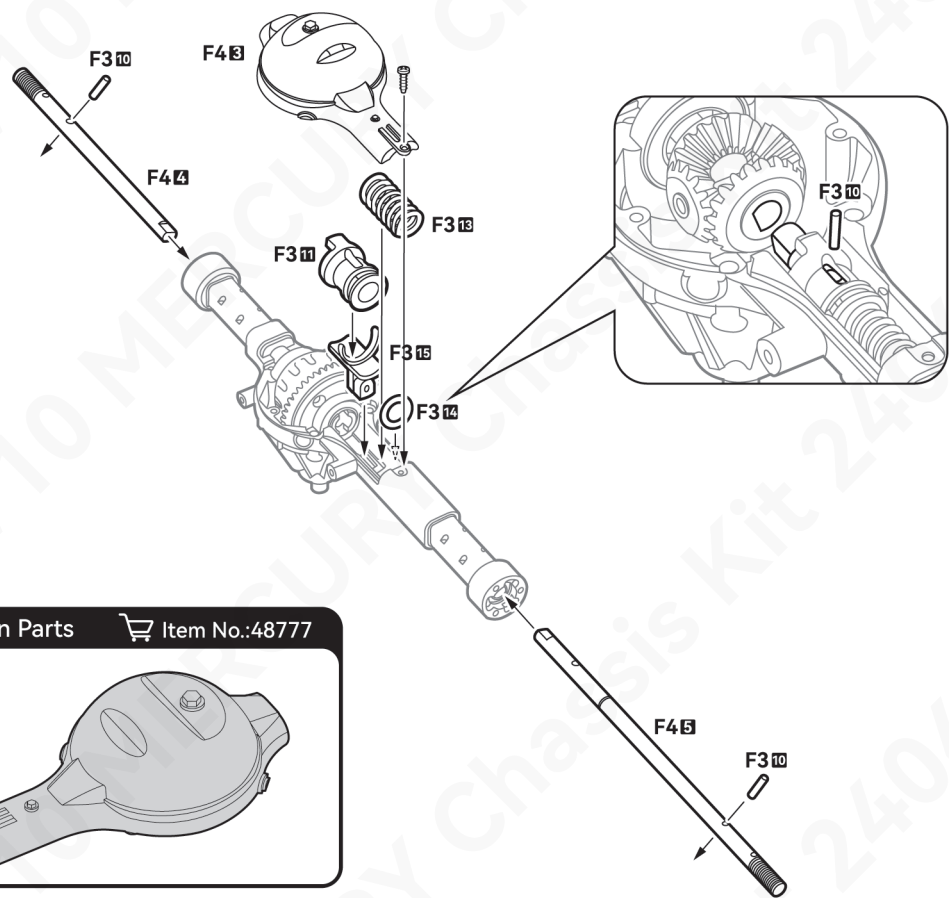
**4**



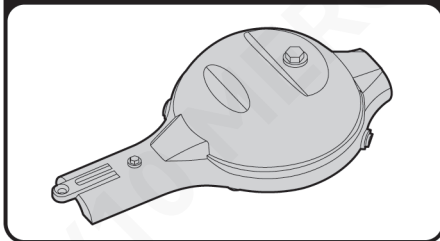
Option Parts Item No.:48777



**5**



Option Parts Item No.:48777

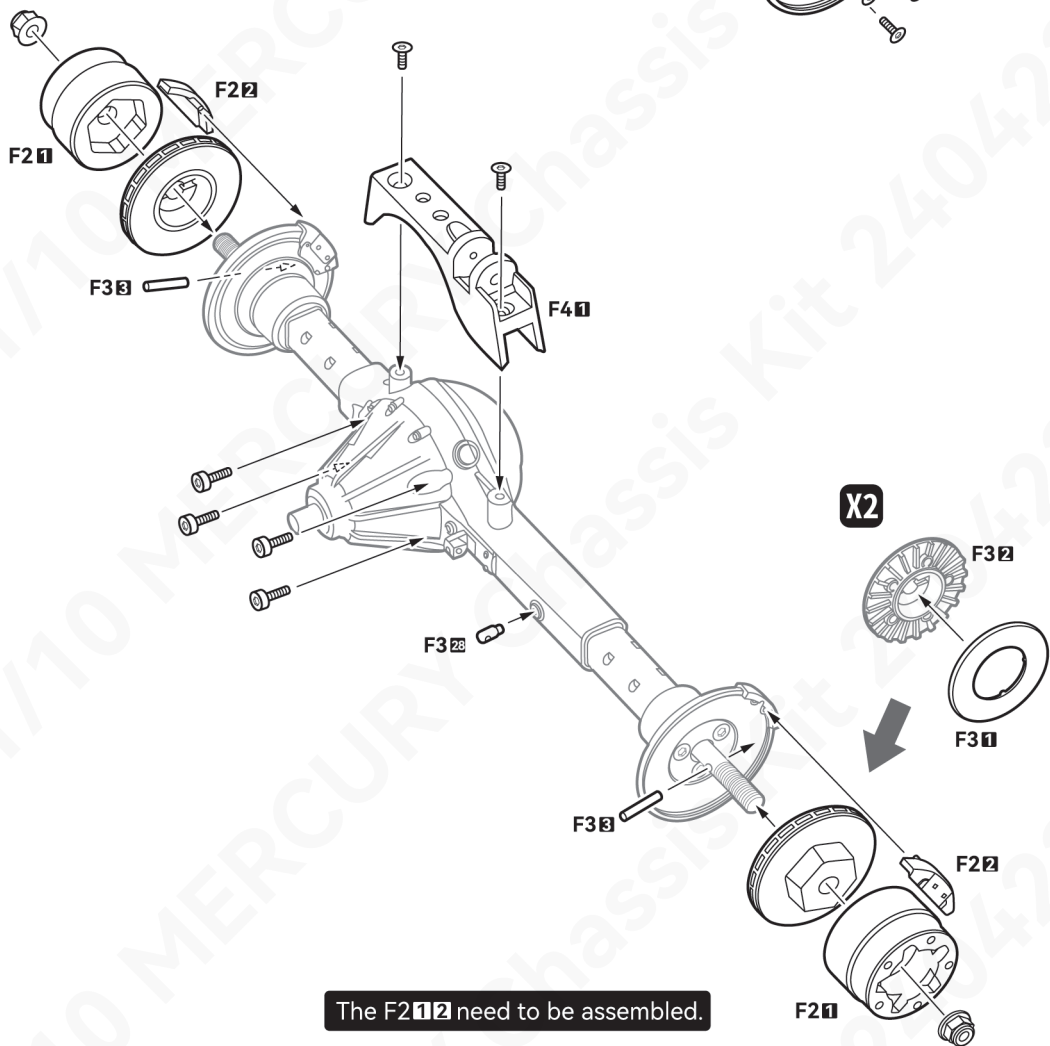
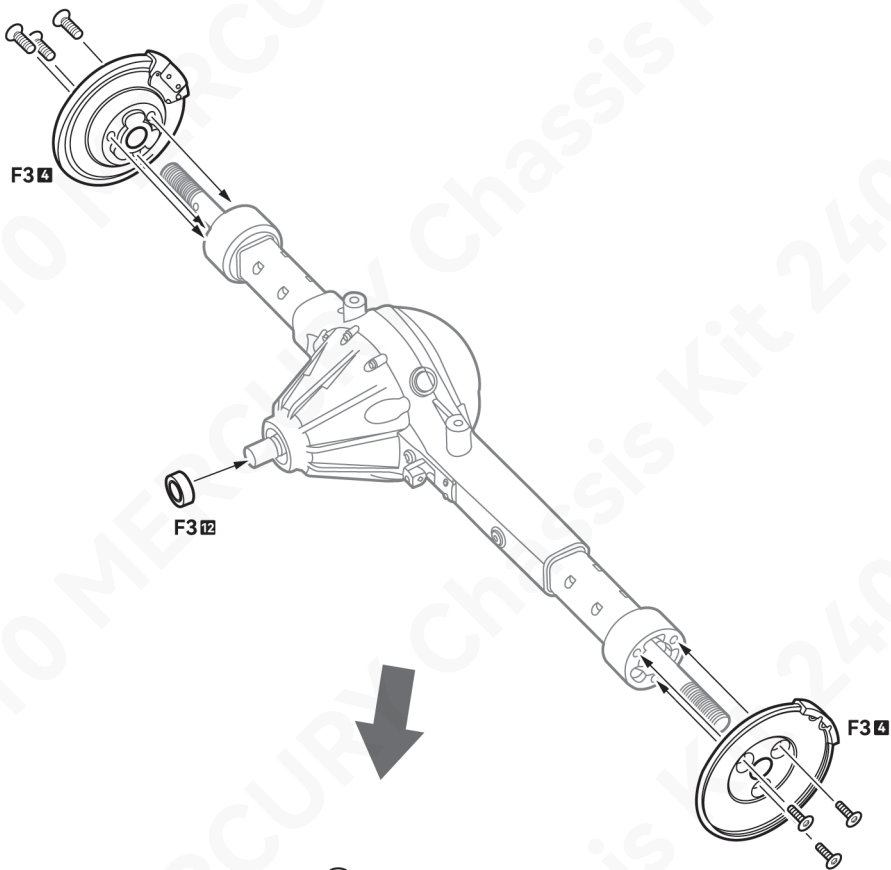






**F3 12**  
Bearing 4x7x2mm x1

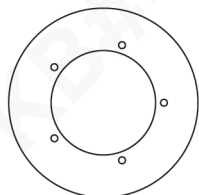
**6**



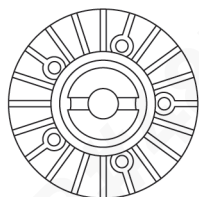
**F3 28**



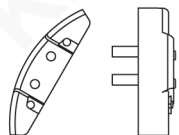
**F3 3**  
Pin 1.5x9mm x2



**F3 1** x2




**F3 2** x2

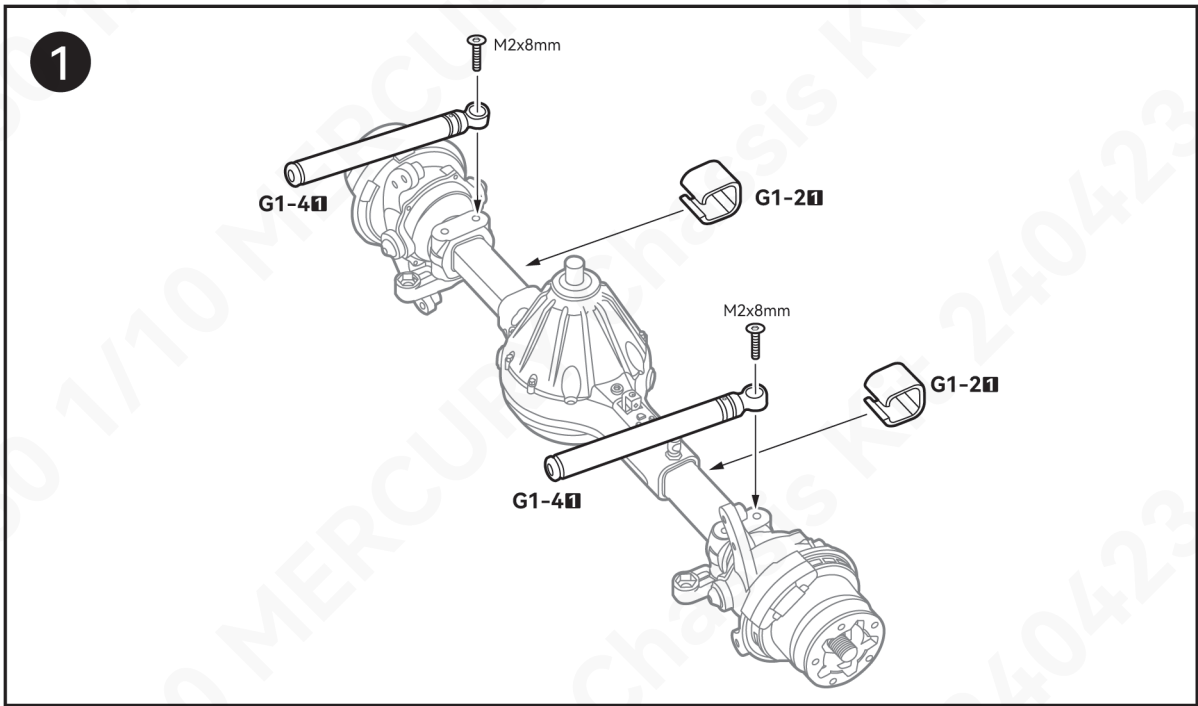


**F2 2** x2


The F2 1 2 need to be assembled.

**G** 1 ~ 17  
Open Bag G


 M2x8mm X 2



 M1.6x6mm X 4

 M2x6mm X 4


 O rings X 4


 M2x12mm X 4

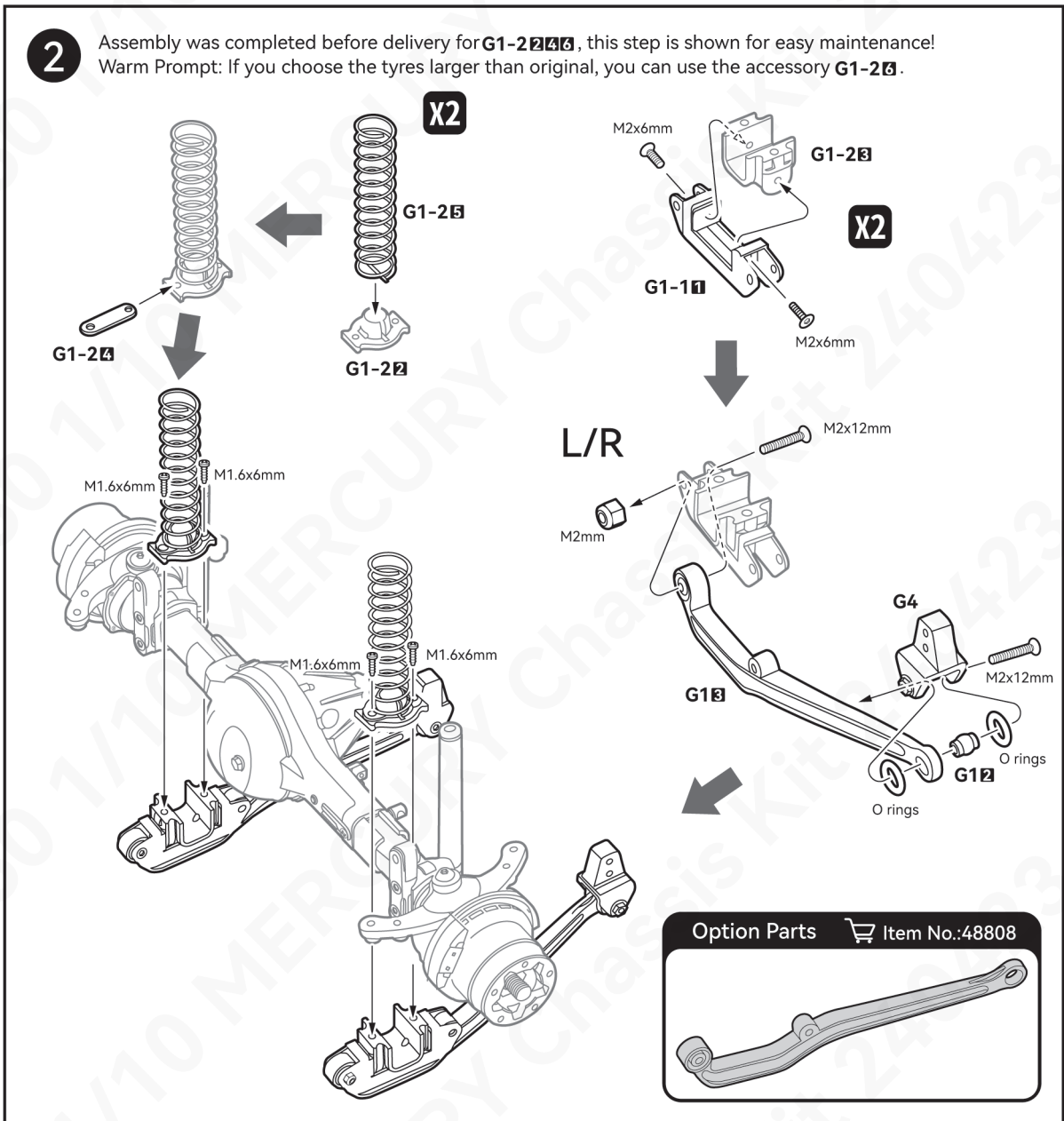
 M2mm X 2

 G1-2 x2

 G1-2 Base x2

 G1-2 x2

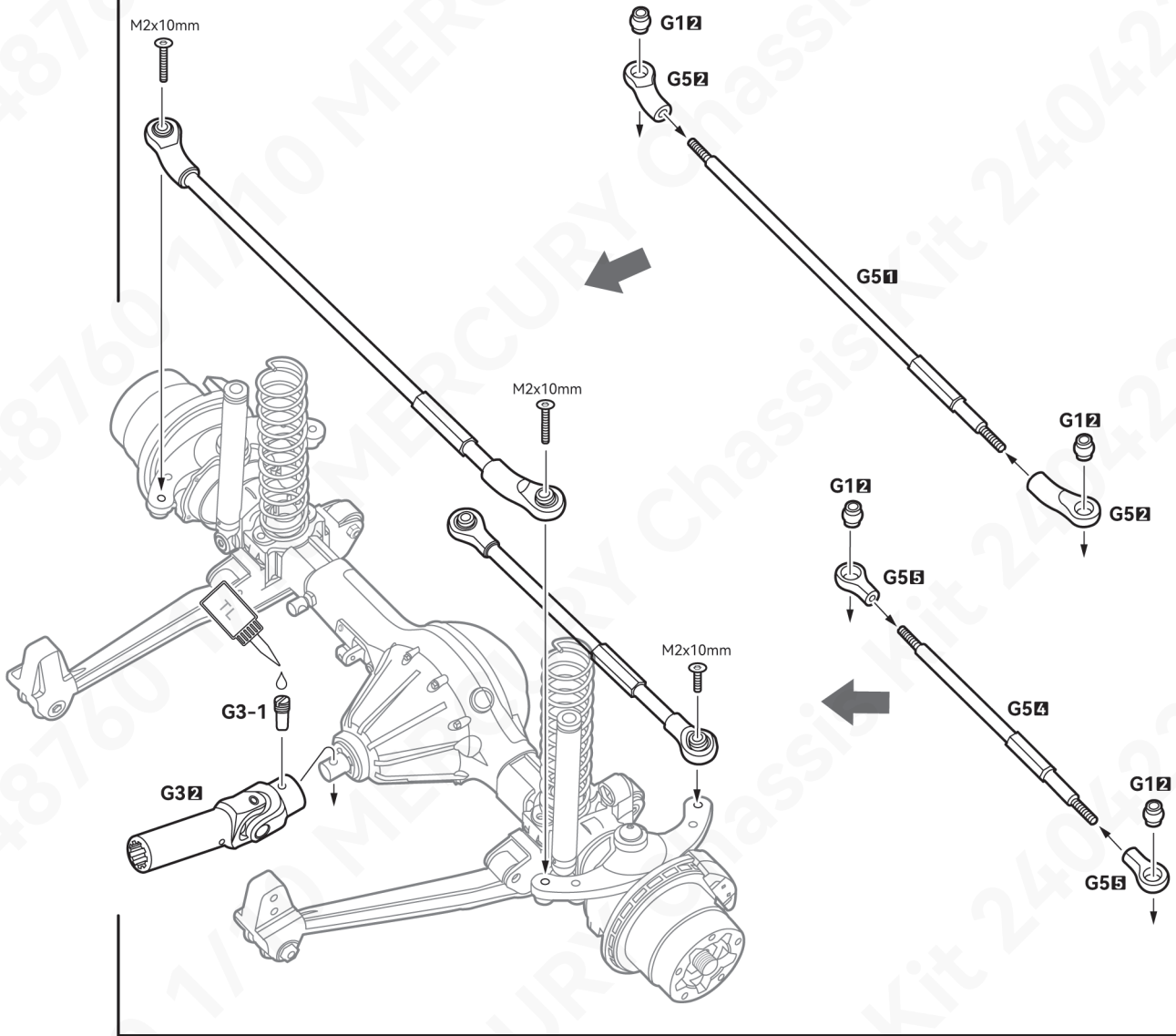
 G1-2 x2



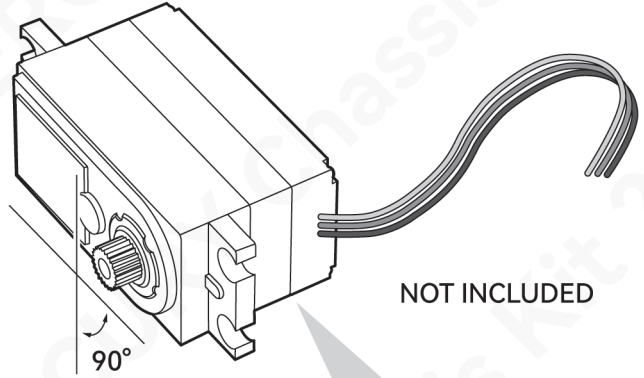
-  M2x10mm X 3
-  G3-1
- M2 half thread x1
-  G1 x4

**3**

Assembly was completed before delivery for **G12 G511245**, this step is shown for easy maintenance!





**4**



Install when servo is in neutral position.

Size: 35mmx16mm  
40mmx20mm  
Torque: 5kg /12kg  
(Compatible with standard servo)

 M1.6x6mm X 4

 M2x10mm X 2

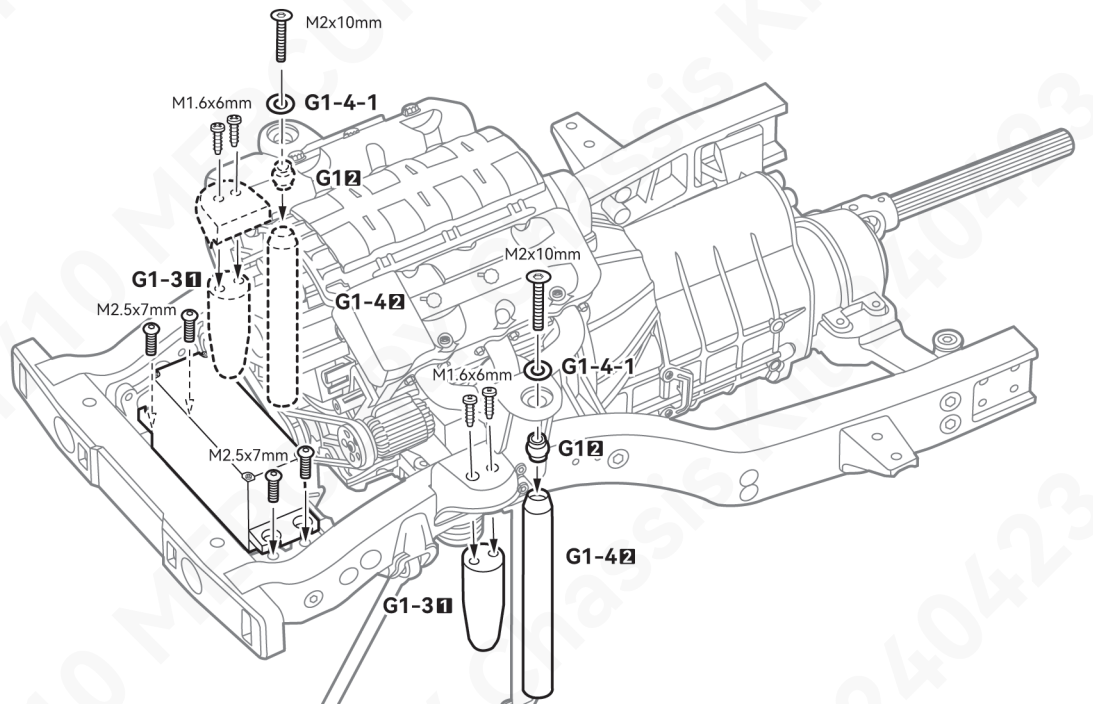


G1-4-1 x2




G1-4-1  
Washer 2.5x6x0.4mm x2

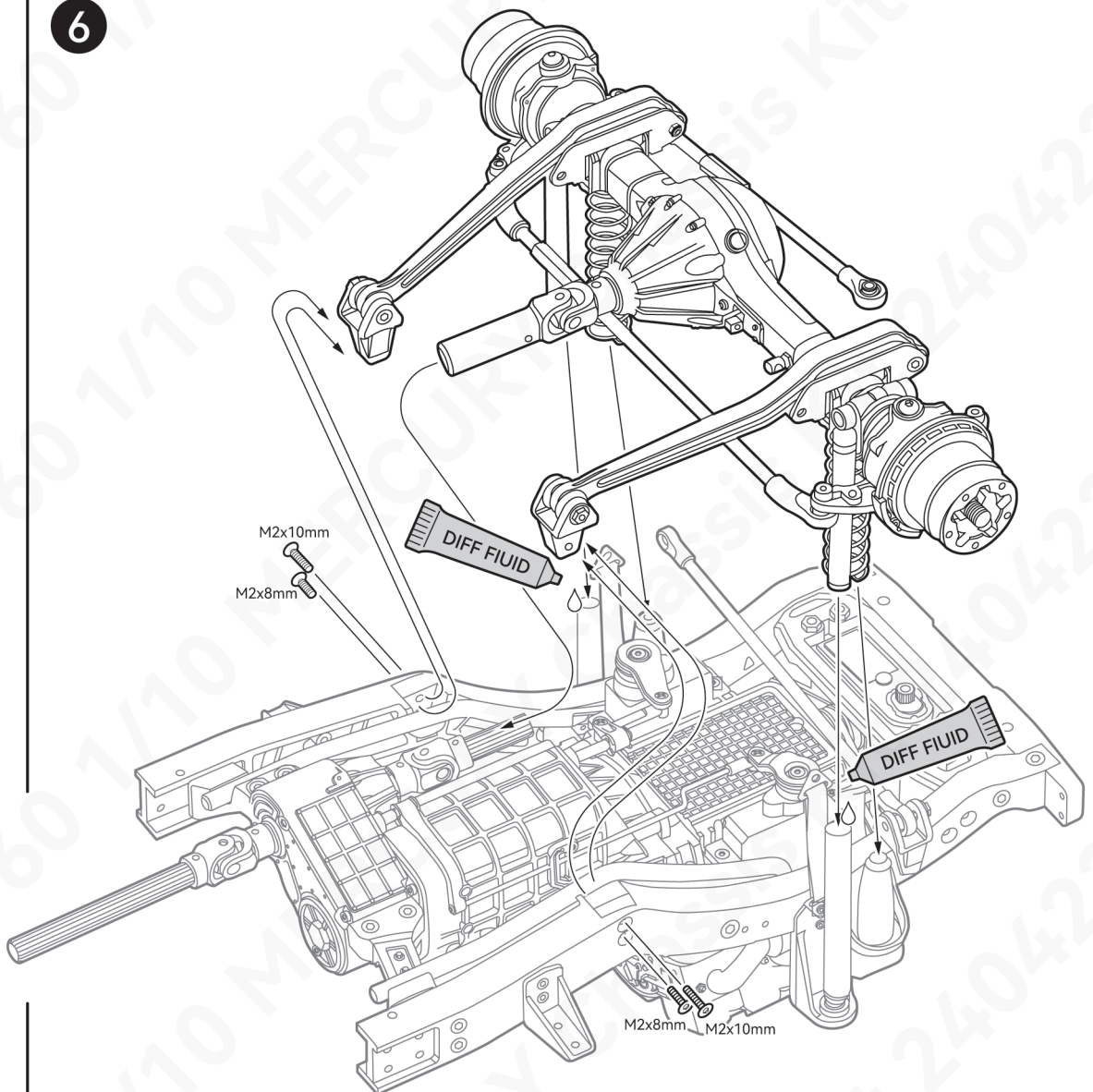
5



 M2x8mm X 2

 M2x10mm X 2

6

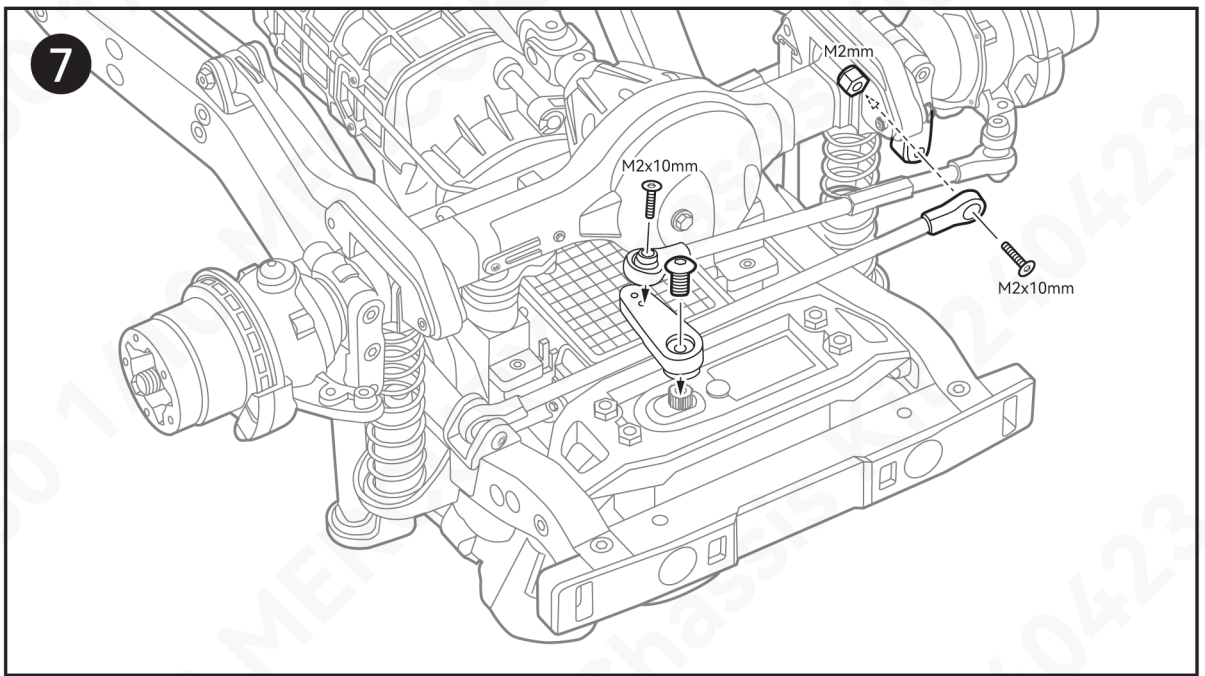




M2x10mm X 2



M2mm X 1



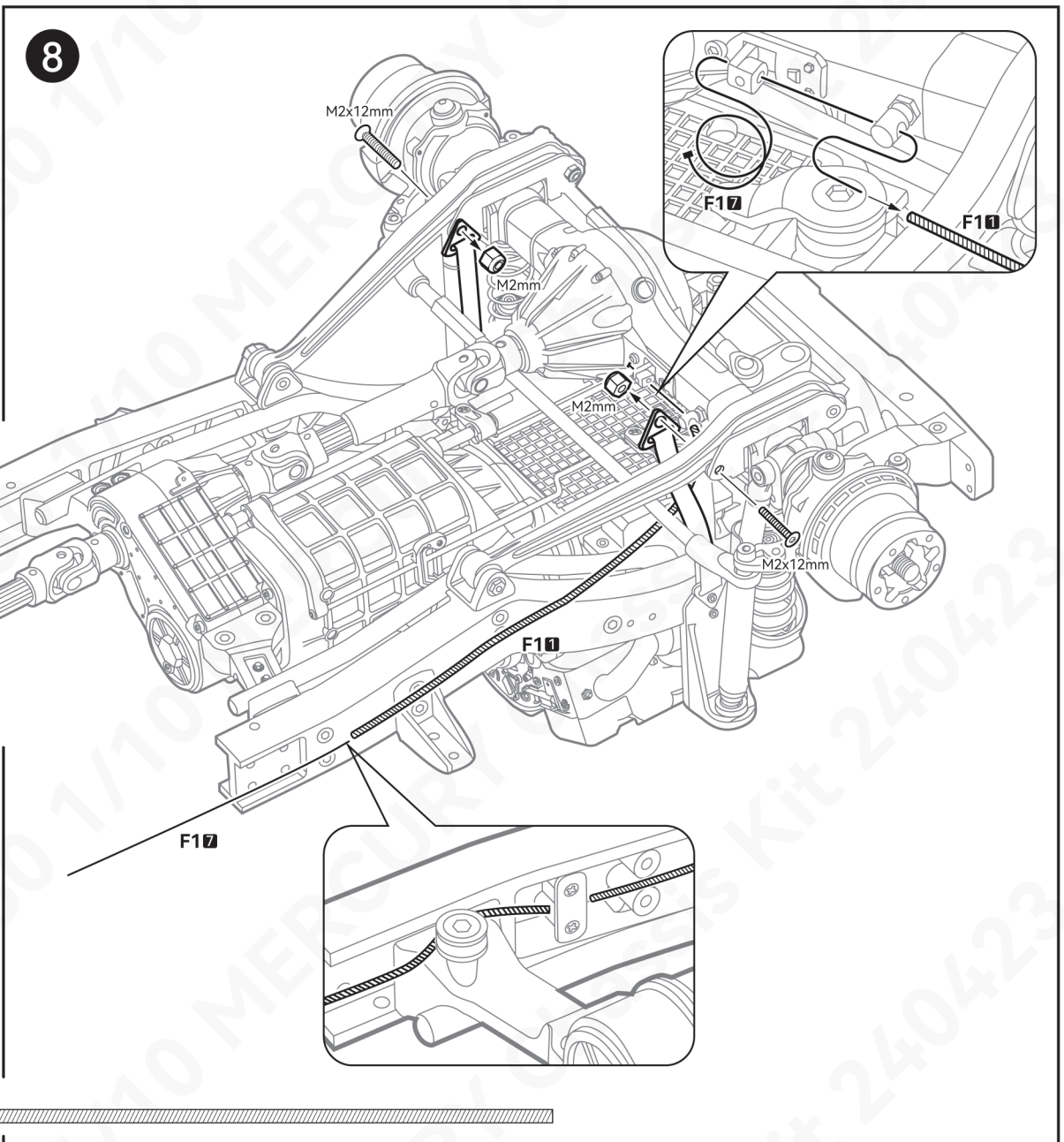
M2x12mm X 2



M2mm X 2



G1-5



**F10**  
Length 115~120mm Φ2mm



**9** Warm Prompt: If you choose the tyres larger than original, you can use the accessory **G2-13**.

M1.6x6mm X 4

M2x6mm X 2

O rings X 4

M2x10mm X 2

M2x12mm X 2

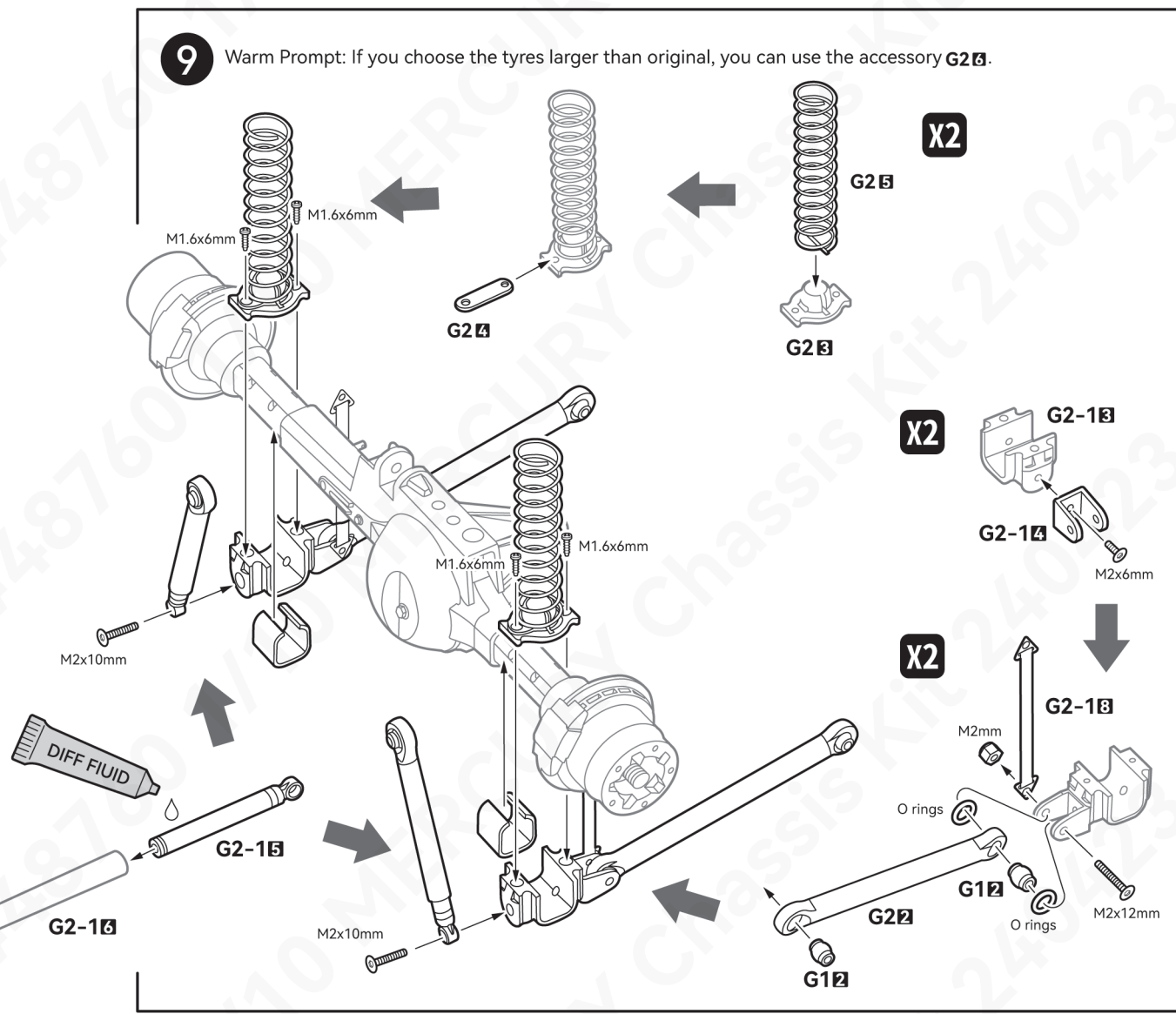
M2mm X 2

**G1-2** x6

**G2-8**  
Base x2

**G2-4** x2

**X2**  
**G1-2**  
**G2-13**

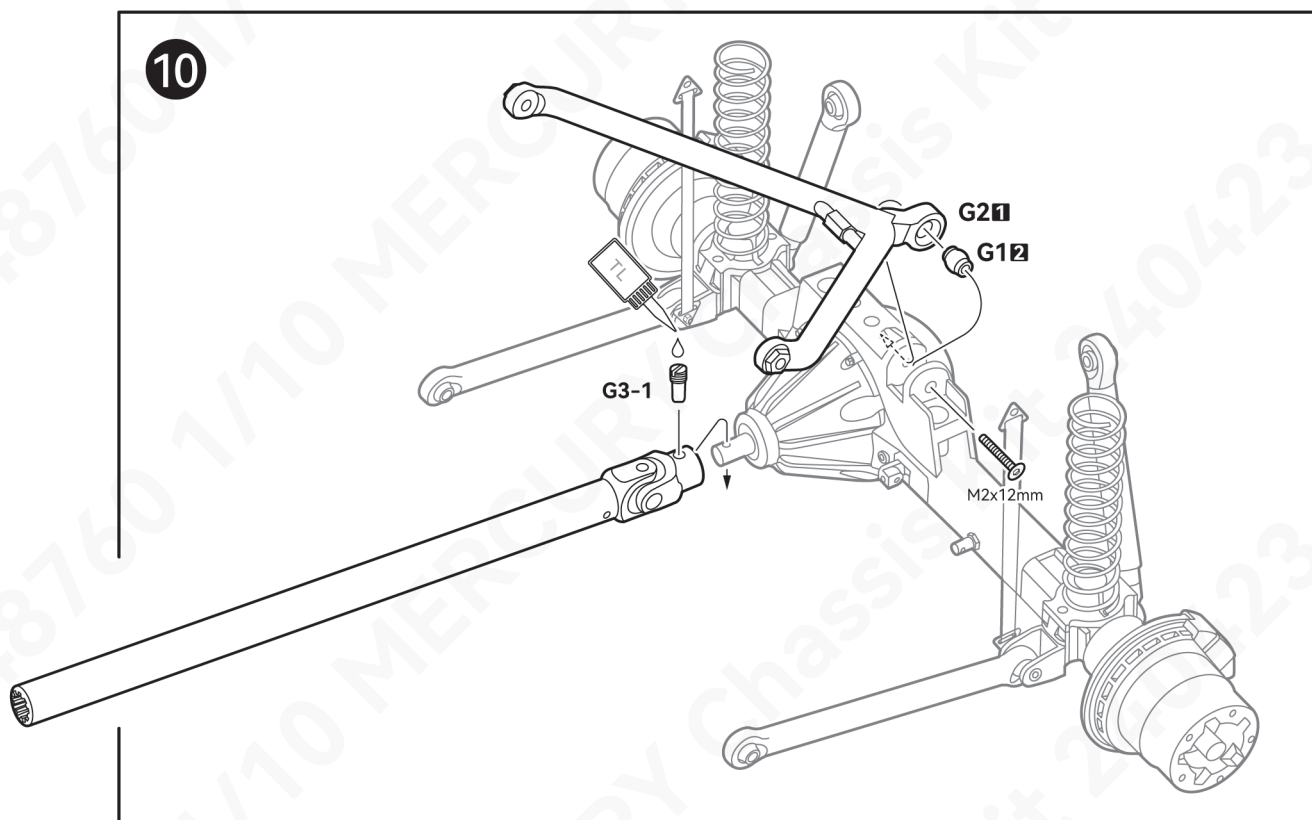





M2x12mm X 1

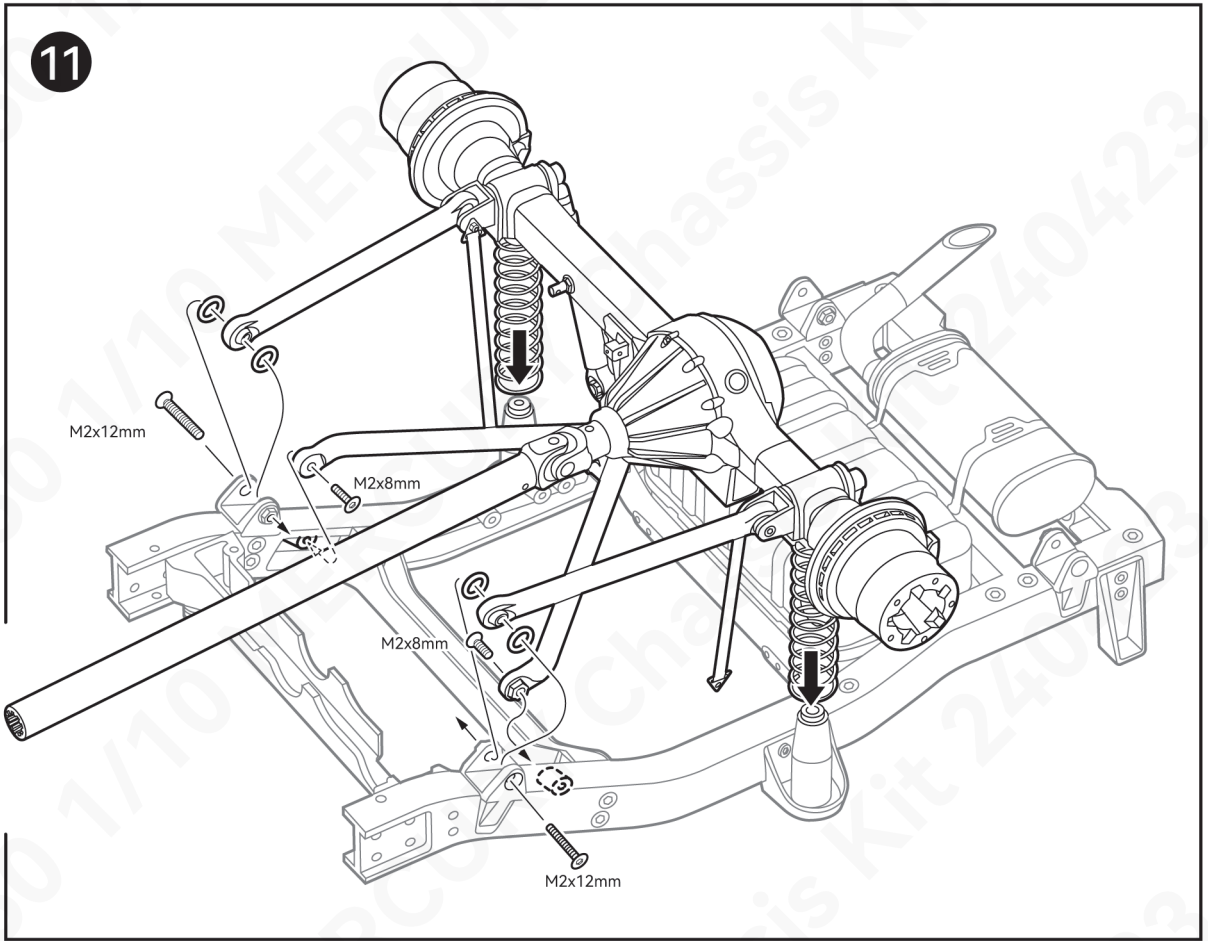
**G1-2** x1

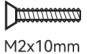

**G3-1**  
M2 half thread x1

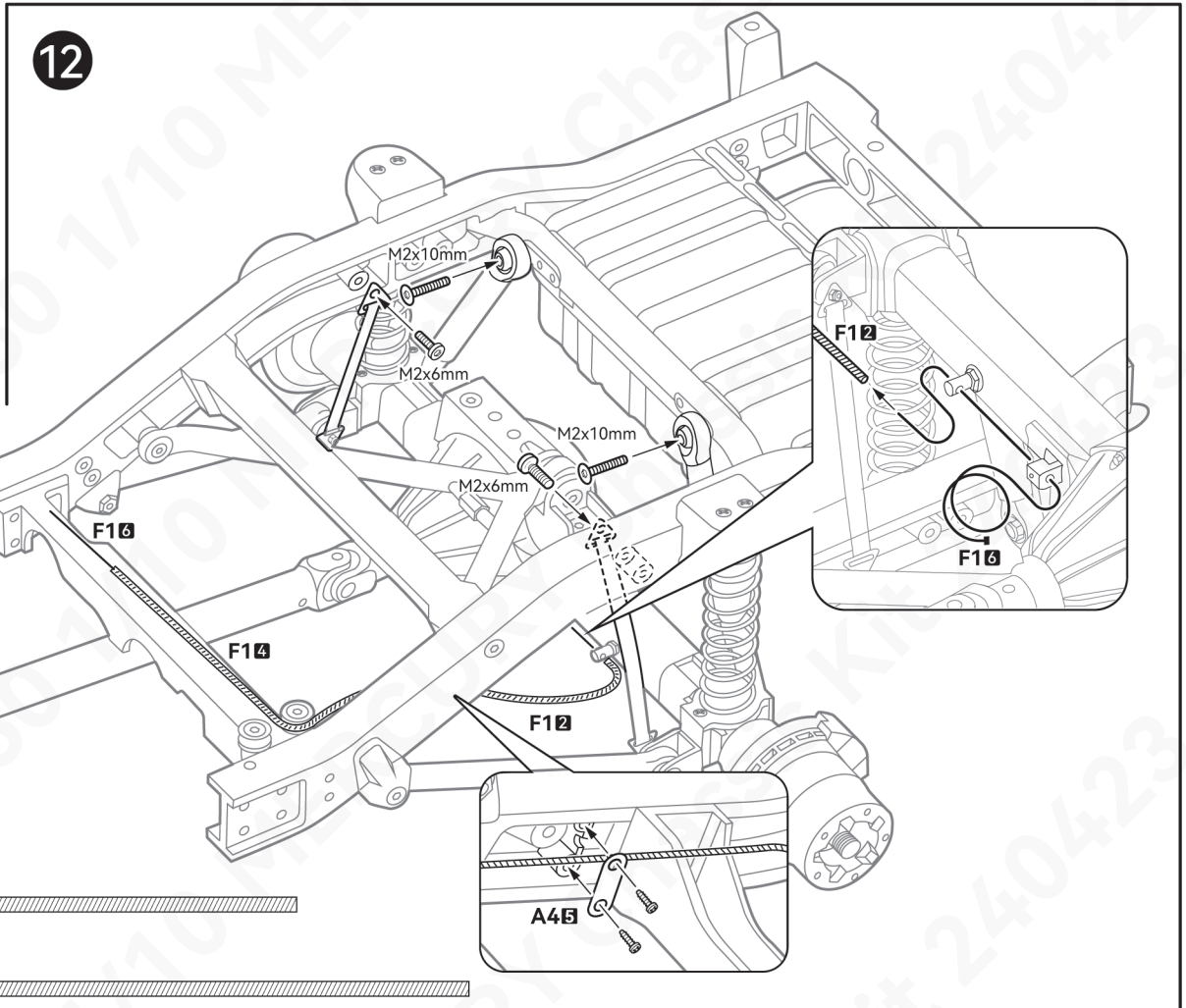
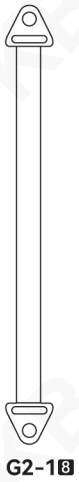
**10**



-  M2x8mm X 2
-  M2x12mm X 2
-  O rings X 4



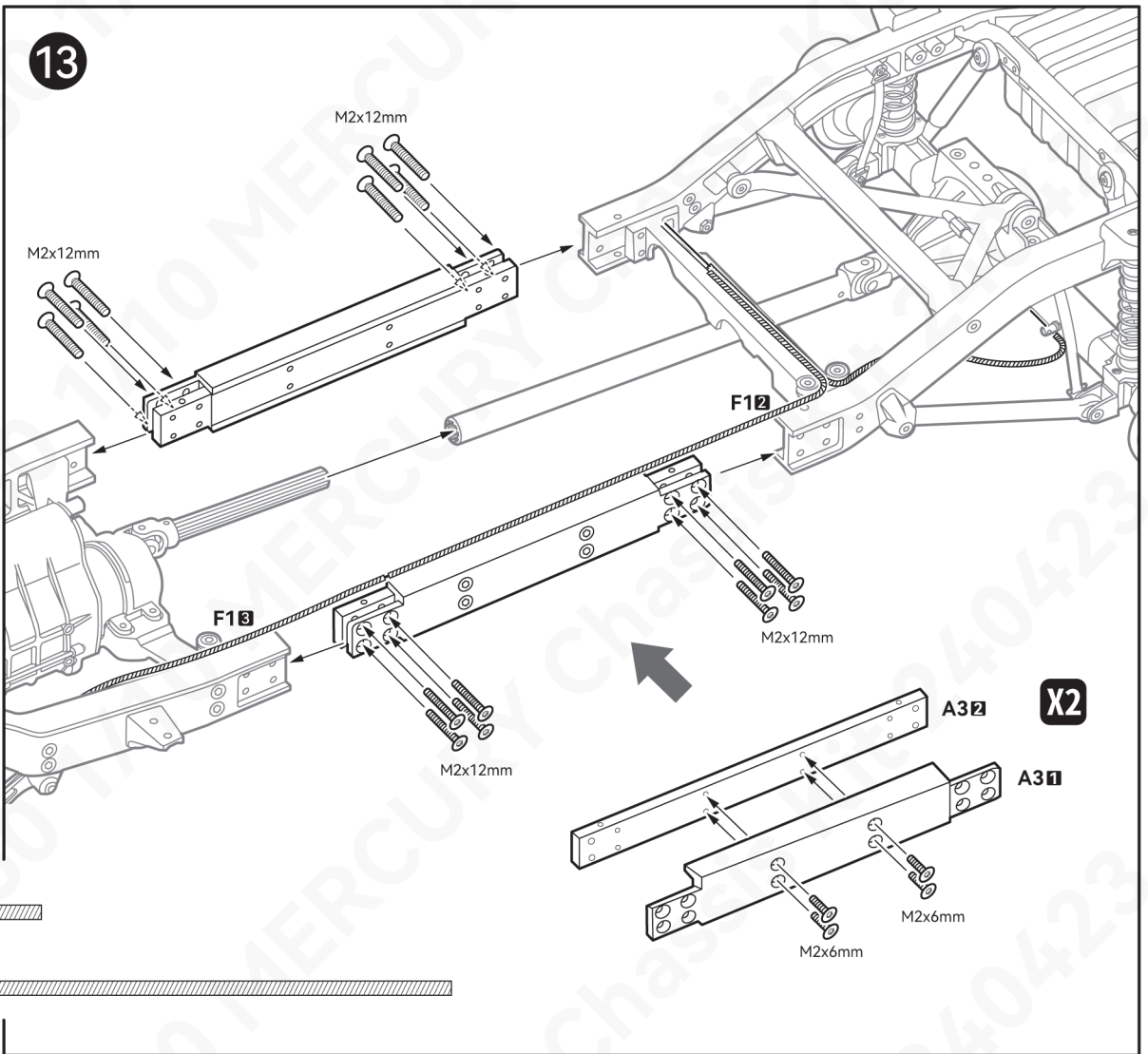
-  M2x10mm X 2
-  M2x6mm X 2



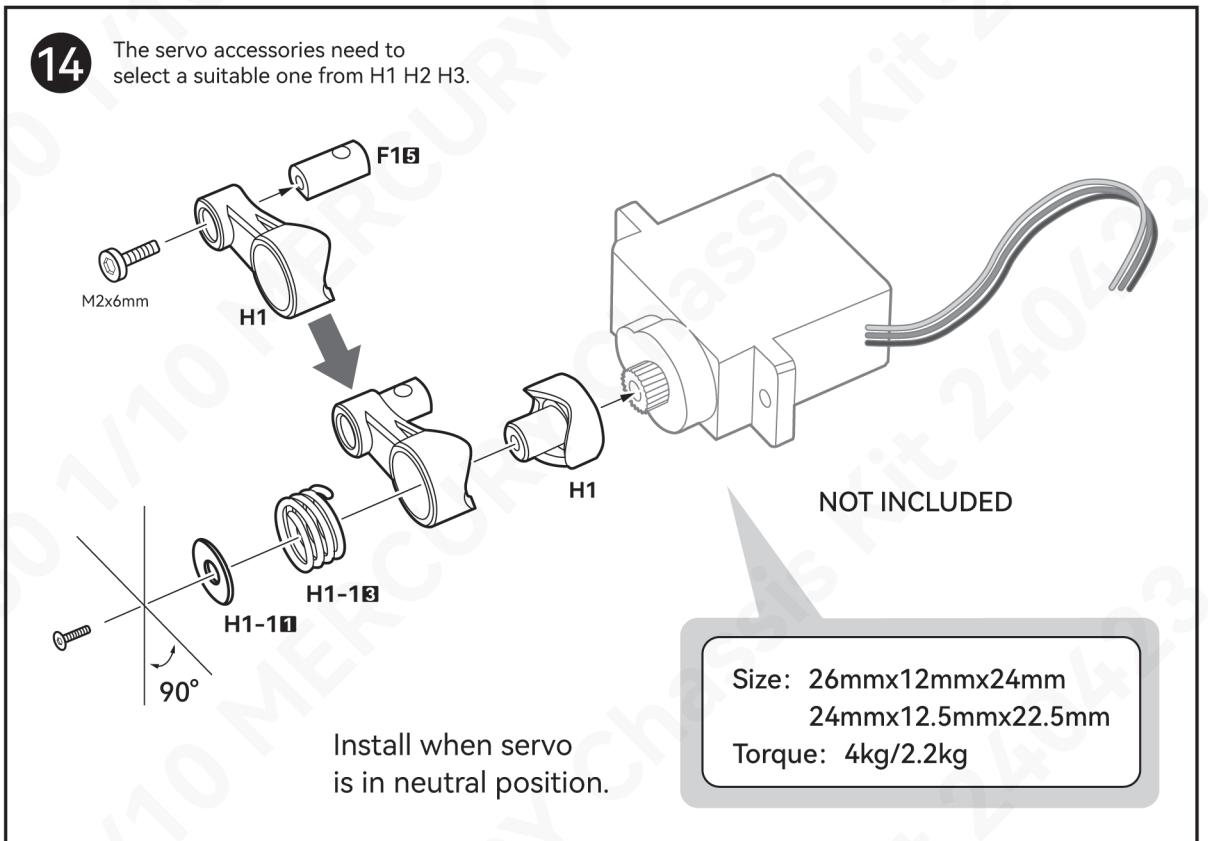
**F1A**  
Length 70~75mm  $\Phi$ 2mm

**F1C**  
Length 95~100mm  $\Phi$ 2mm

- M2x12mm X 16
- M2x6mm X 8



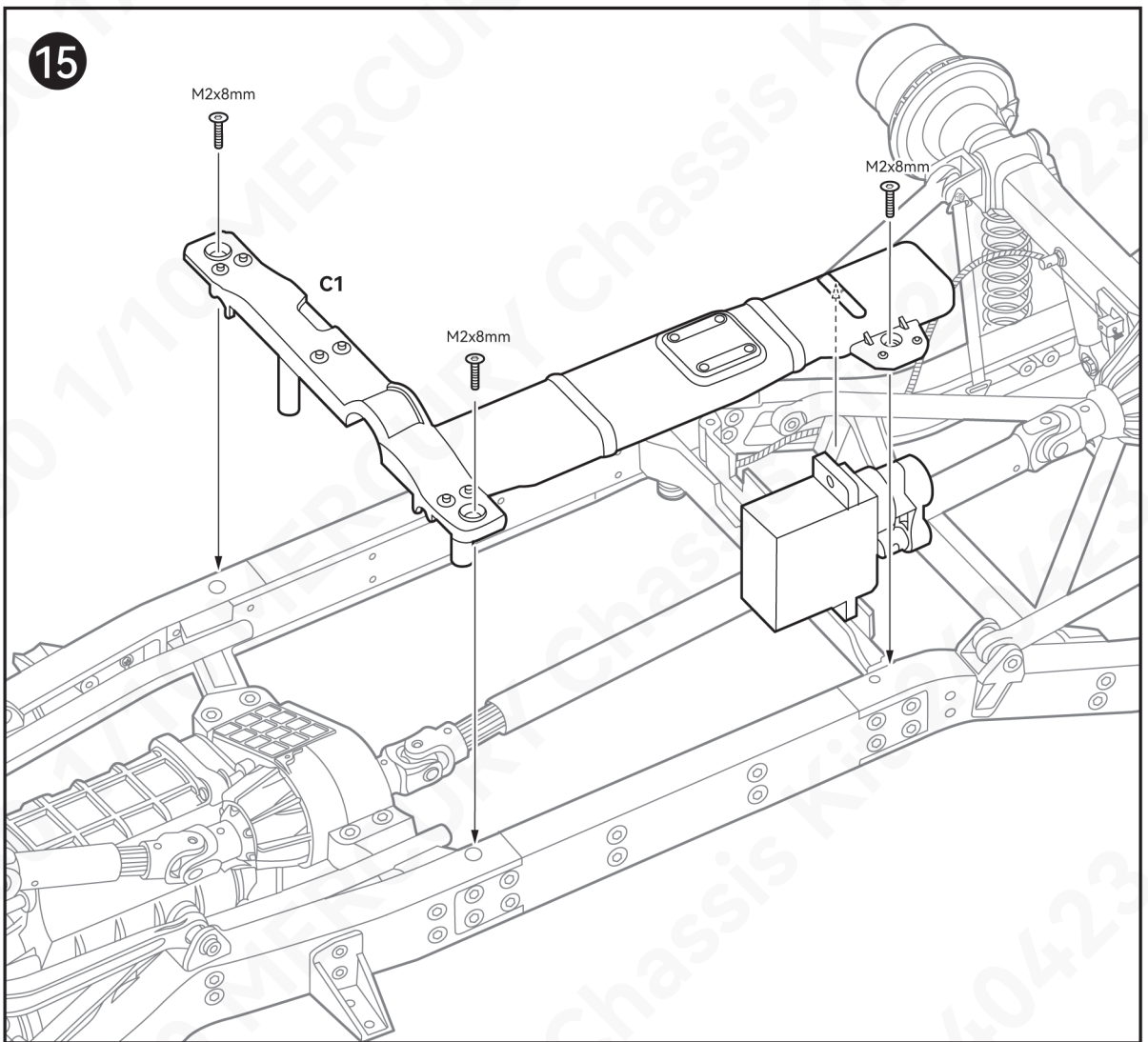
- M2x6mm X 1
- 
- F15**



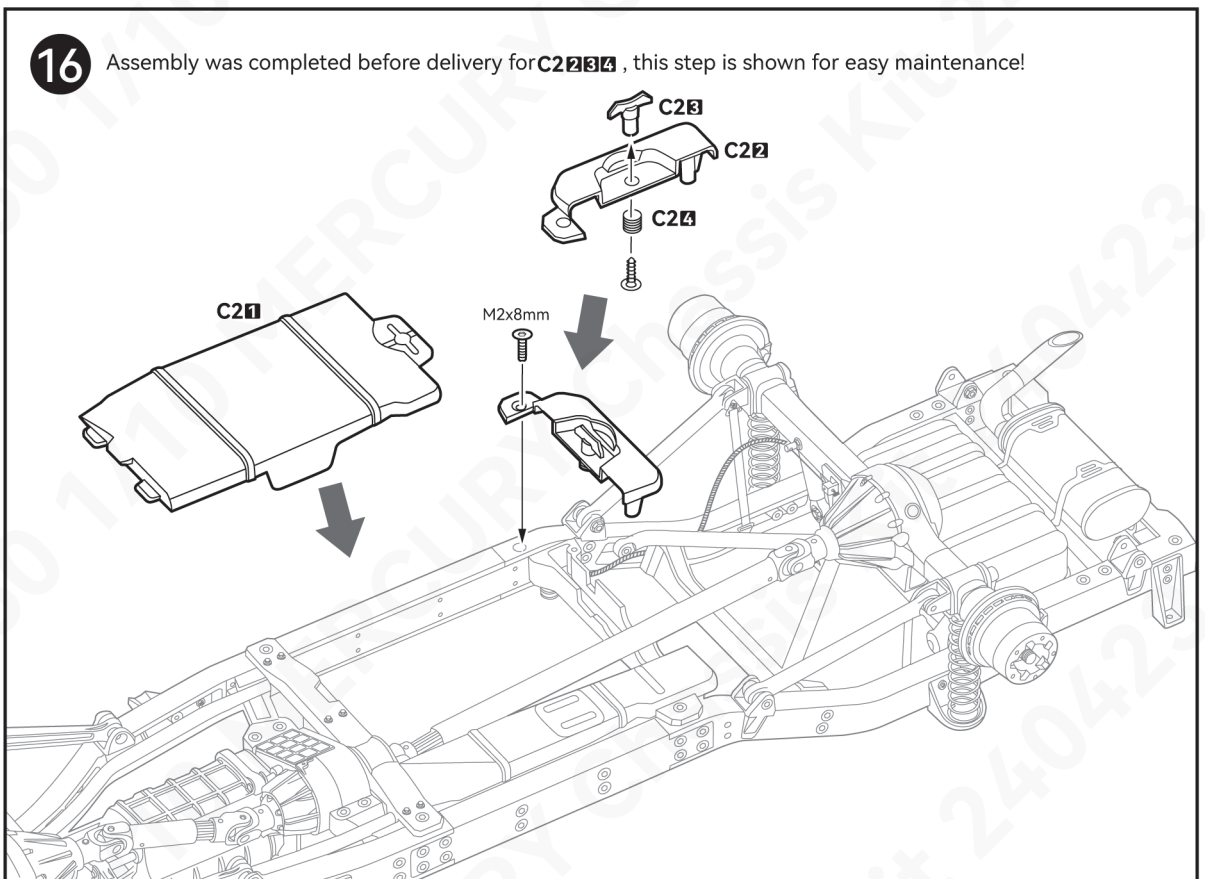




M2x8mm X 3



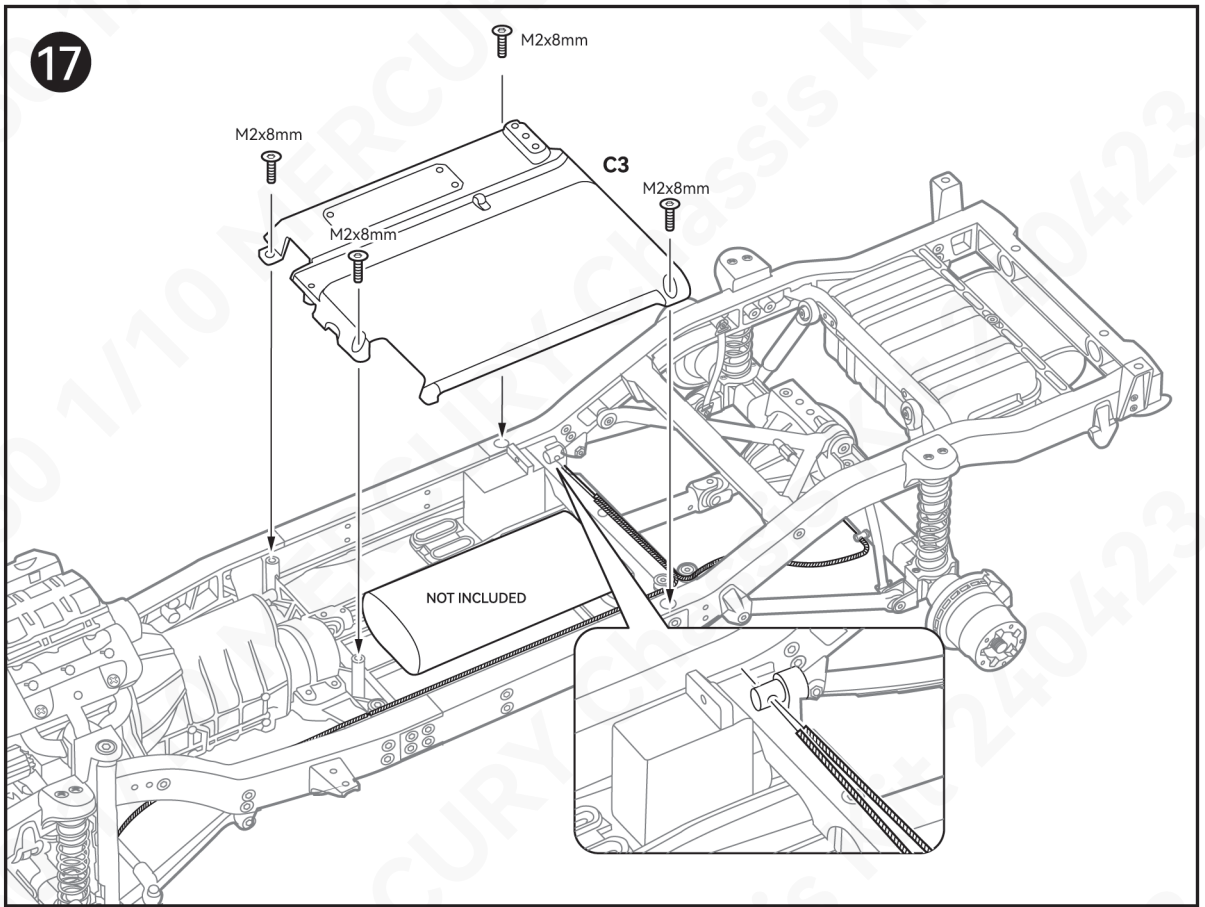
M2x8mm X 1





M2x8mm X 4

17



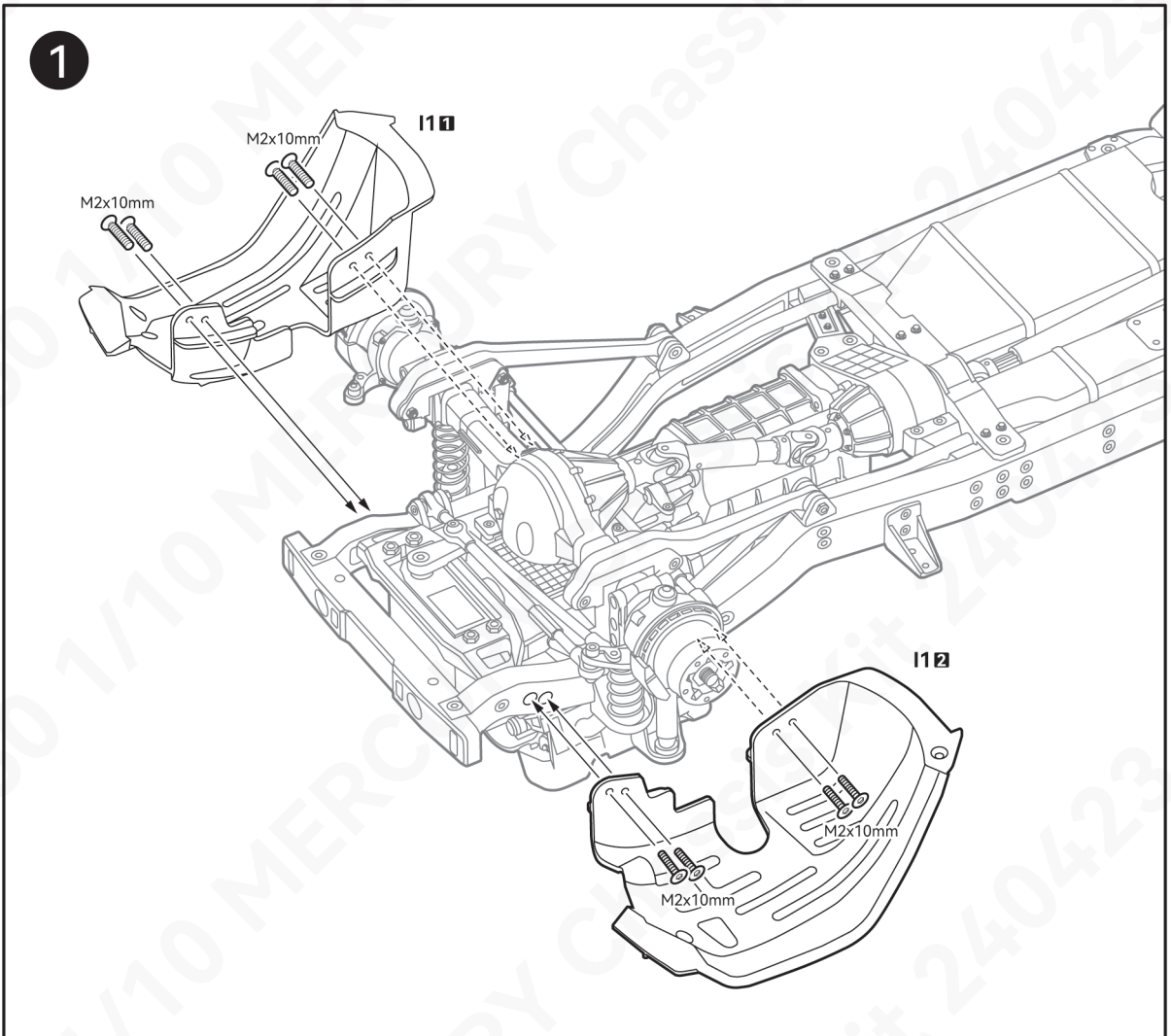
1 ~ 2

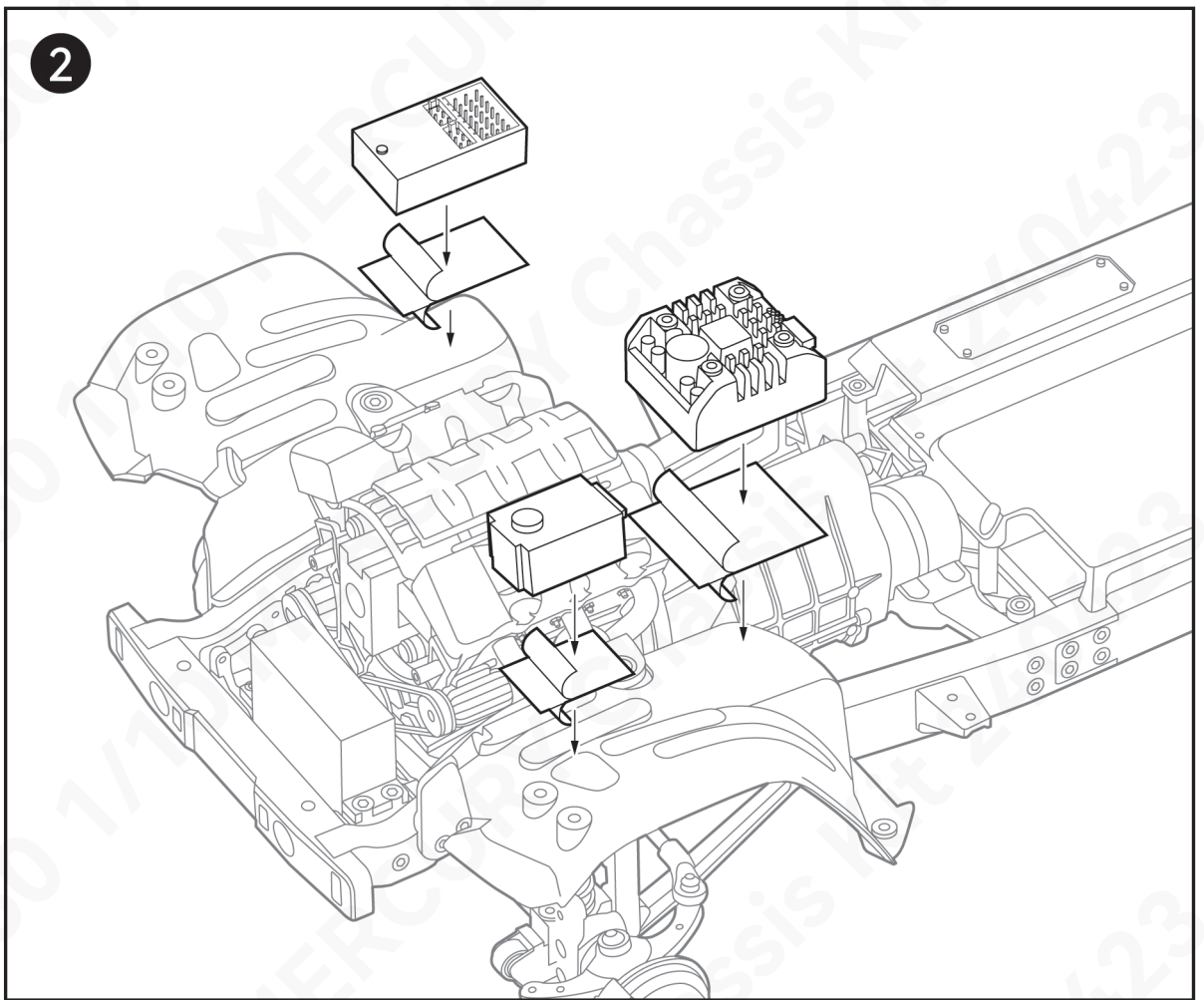
Open Bag I



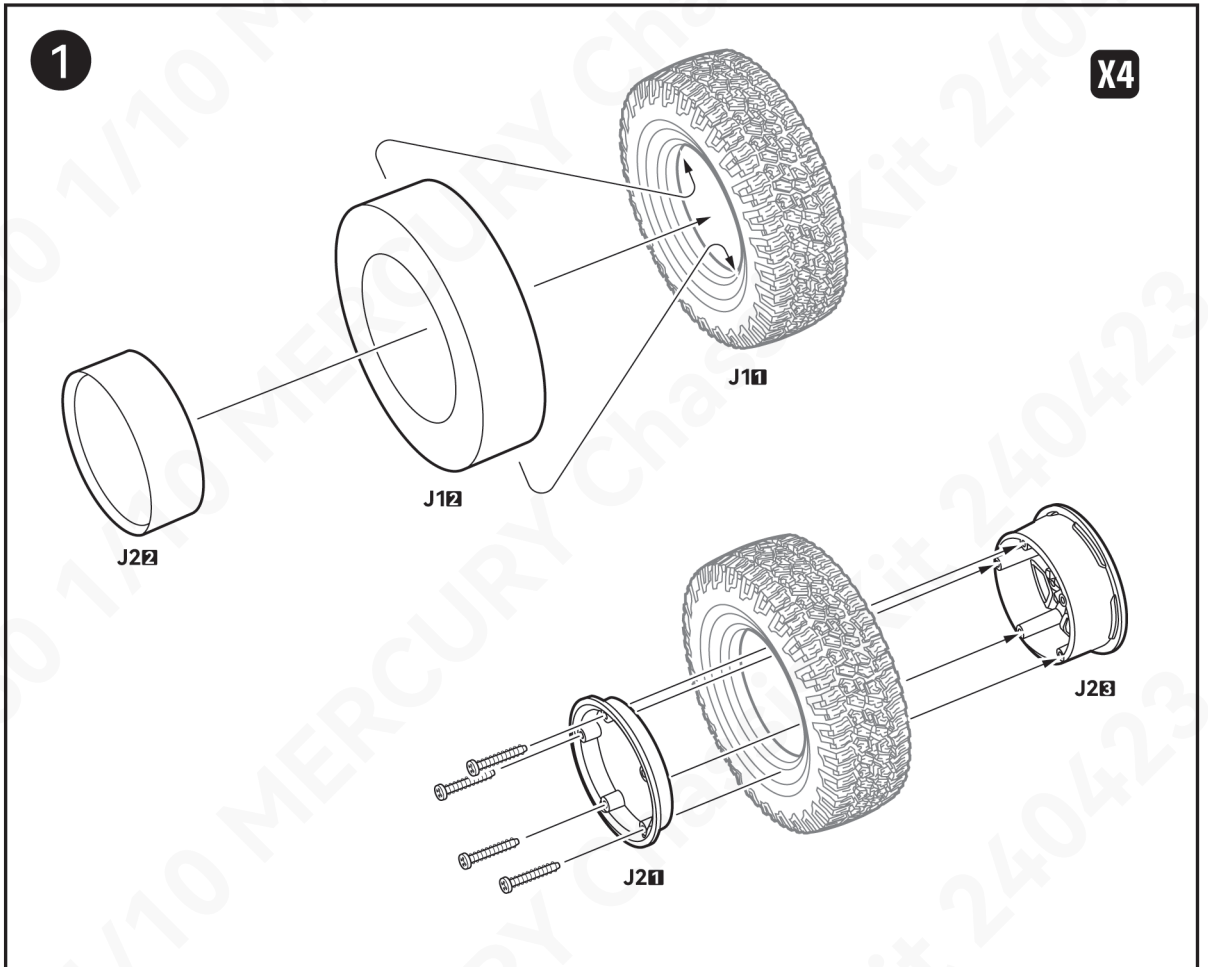
M2x10mm X 8

1

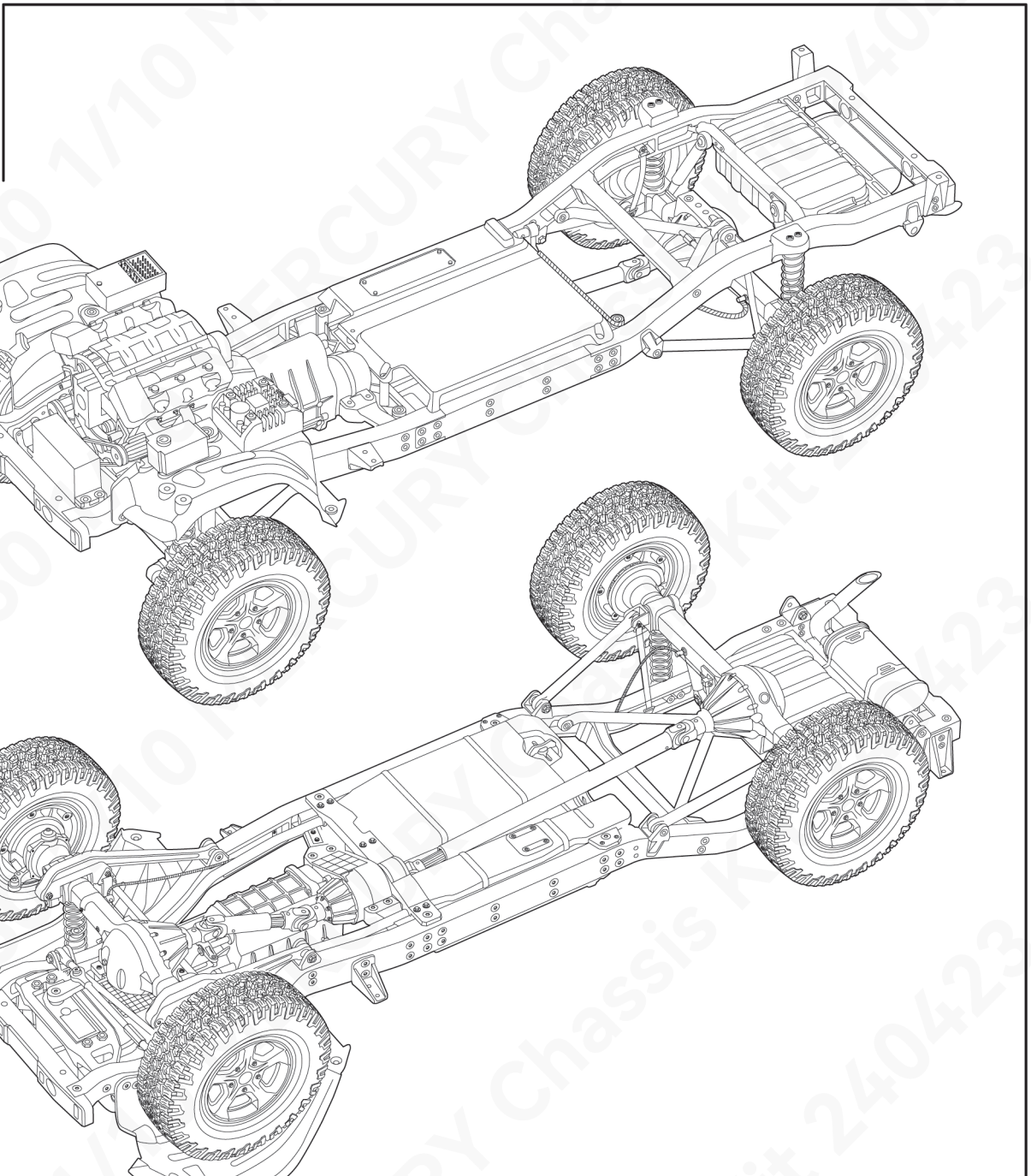
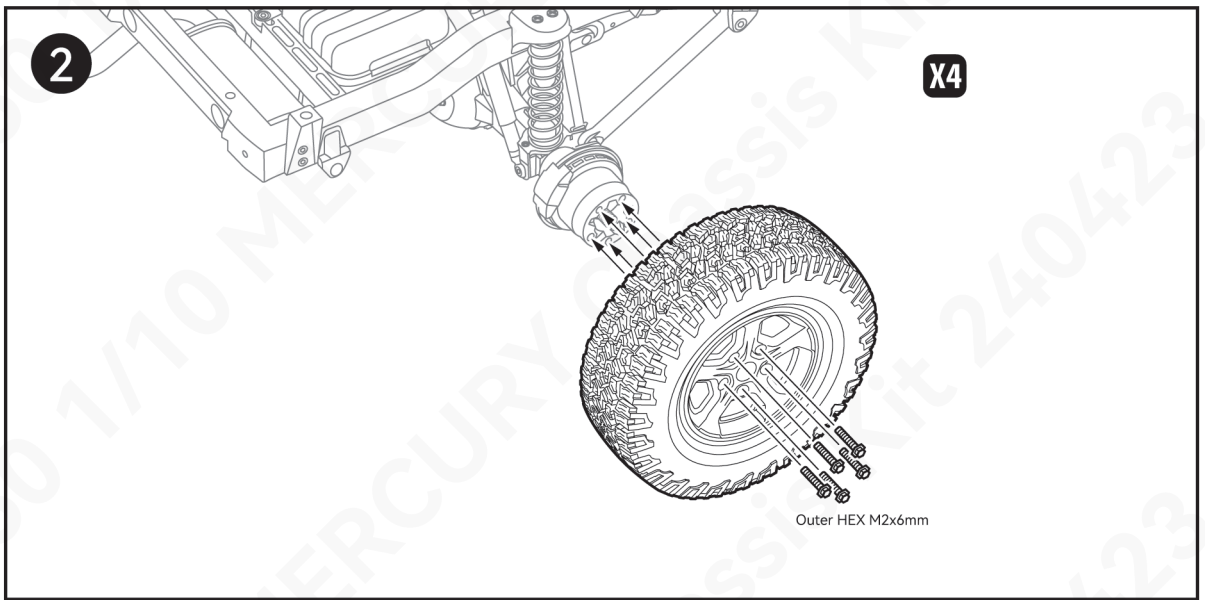




**J** **1 ~ 2**  
Open Bag J



M2x6mm X 20  
Outer HEX



## Separately Sold Items

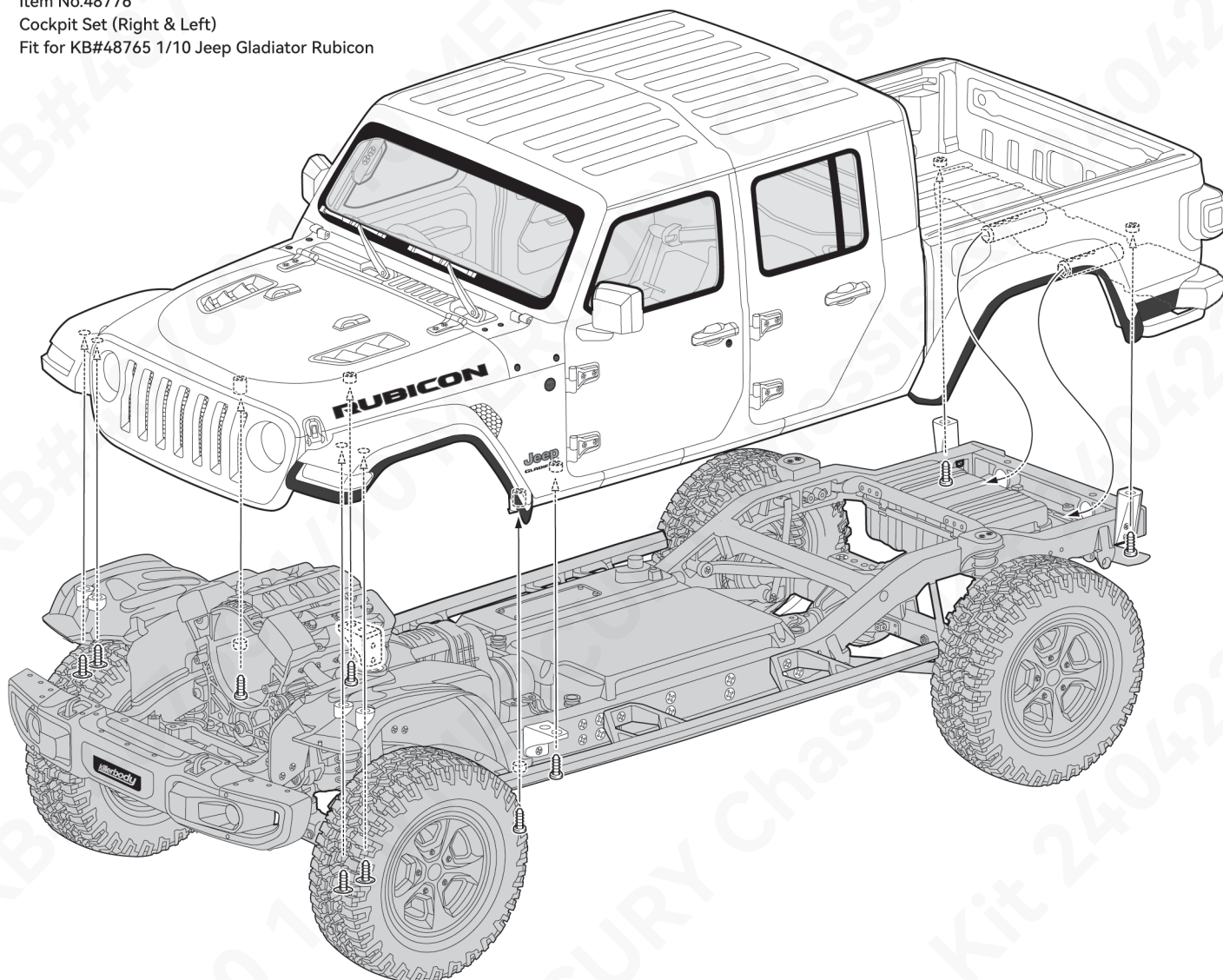
Item No. 48765

1/10 Jeep Gladiator Rubicon Hard Body Kit

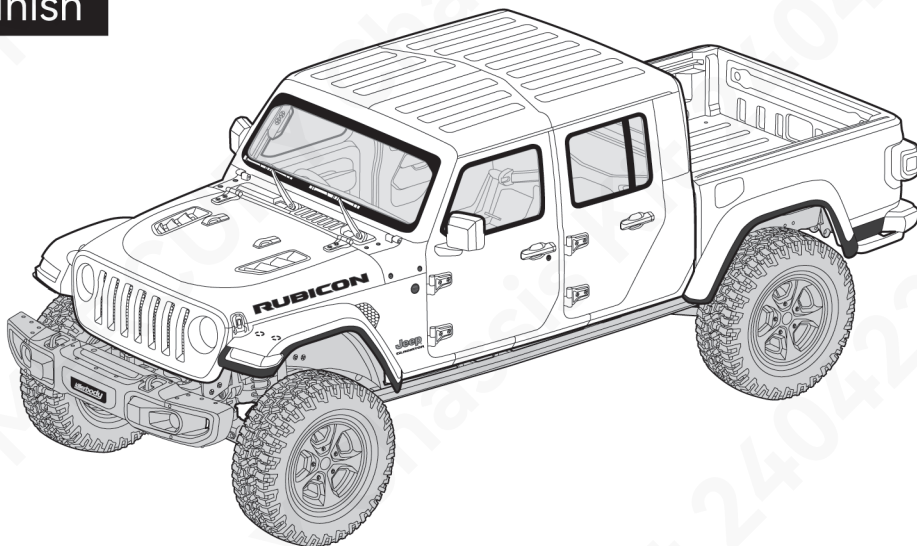
Item No.48776

Cockpit Set (Right & Left)

Fit for KB#48765 1/10 Jeep Gladiator Rubicon



Finish



## OPTION PARTS

Item No.	Description
48783	4-linkage Suspension W/damper Cylinder Converted Sets
48812	Liners Fender Flares and Carriage installation fixing point Fit for KB#48760 MERCURY Chassis
48813	1/10 Detail Scale Butyl Rubber Tyre 3.5 inch Fit for KB#48760 MERCURY Chassis
48814	Aluminum Alloy Wheel 1.55 inch Fit for KB#48760 MERCURY Chassis
48816	Chassis Frame Kit
48817	Tank Shell
48818	Chassis Beam Kit
48819	Battery Compartment Shell Kit
48820	Engine and Transmission Housing Set
48821	Exhaust Pipe Kit
48822	Front Axle Set
48823	Rear Axle Set
48824	Front Axle Suspension System Accessory Package
48825	Steering Rod & Panhard Rod
48826	Universal Joint Transmission Shaft Kit
48827	Steering Server Support Package
48828	Screw and Tool Set

## Aluminium Alloy Upgrade Parts

Item No.	Description
48777	Front/ Rear Axle Upgrade Sets Aluminium alloy
48779	Frame Upgrade Sets Aluminium alloy Fit for KB#48780 MERCURY Chassis
48808	Control Arm Upgrade Sets Aluminium alloy
48809	Steering Knuckle Upgrade Sets Aluminium alloy
48810	Suspension Loop Upgrade Sets Aluminium alloy
48811	Frame Upgrade Sets Aluminium alloy Fit for KB#48760 MERCURY Chassis

## Modification Parts

Item No.	Description
48782	Leaf Spring W/damper Cylinder Converted Sets
48691	1/10 Detail Scale Rubber Tyre 3.35 inch Fit for KB48693 Wheel 1.68 inch
48692	1/10 Detail Scale Rubber Tyre 3.75 inch Fits best 1.55" wheels Fit for 1/10 Crawler
48693	Aluminum Alloy Wheel 1.68 inch Fit for KB48691 Tyre 3.35 inch
48694	Aluminum Alloy Wheel 1.55 inch Fit for 1/10 Crawler

## Body shell & Corresponding Upgrade Parts

Item No.	Description
48765	1/10 Jeep Gladiator Rubicon Hard body Fit for KB#48760 MERCURY Chassis
48776	Cockpit Set (Left & Right) Fit for KB#48765 1/10 Jeep Gladiator
48778	LED Unit Set w/Control Box 24 LEDS Fit for KB#48765 1/10 Jeep Gladiator
48812	Liners Fender Flares and Carriage installation fixing point Fit for KB#48760 MERCURY Chassis

Item No.	Description
48601	1/10 Toyota Land Cruiser 70 Hard Body Kit Fit for KB#48780 MERCURY Chassis
48610	Movable Door & Window Lifter Upgrade Sets Fit for KB#48601 1/10 Toyota Land Cruiser 70
48611	Movable Hood Upgrade Sets Fit for KB#48601 1/10 Toyota Land Cruiser 70
48613	Metal Lock Catch Fit for KB#48601 1/10 Toyota Land Cruiser 70
48615	Cockpit Set (Right & Left) Fit for KB#48601 1/10 Toyota Land Cruiser 70
48815	Liners Fender Flares and Carriage installation fixing point Fit for KB#48780 1/10 MERCURY Chassis



Killerbody Industrial Limited  
Unit 5, 27/F., Richmond Comm. Bldg.,  
109 Argyle Street, Mongkok, Kowloon,  
Hong Kong  
[sales@killerbody.com](mailto:sales@killerbody.com)  
[killerbody.com](http://killerbody.com)  
[rc.killerbody.com](http://rc.killerbody.com)  
[hero.killerbody.com](http://hero.killerbody.com)

